

SOJAG

Sojag code : 500-9169584

CUP/UPC code : 772830169584

Costco code: 1768235

QUESTIONS? 0 800 032-4324(UK)

1 855 659-4402 (Canada)

costco@shelterlogic.com

Assembly Manual / Guide d'assemblage / Manual de ensamblaje / 조립설명서 / Monteringshandbok

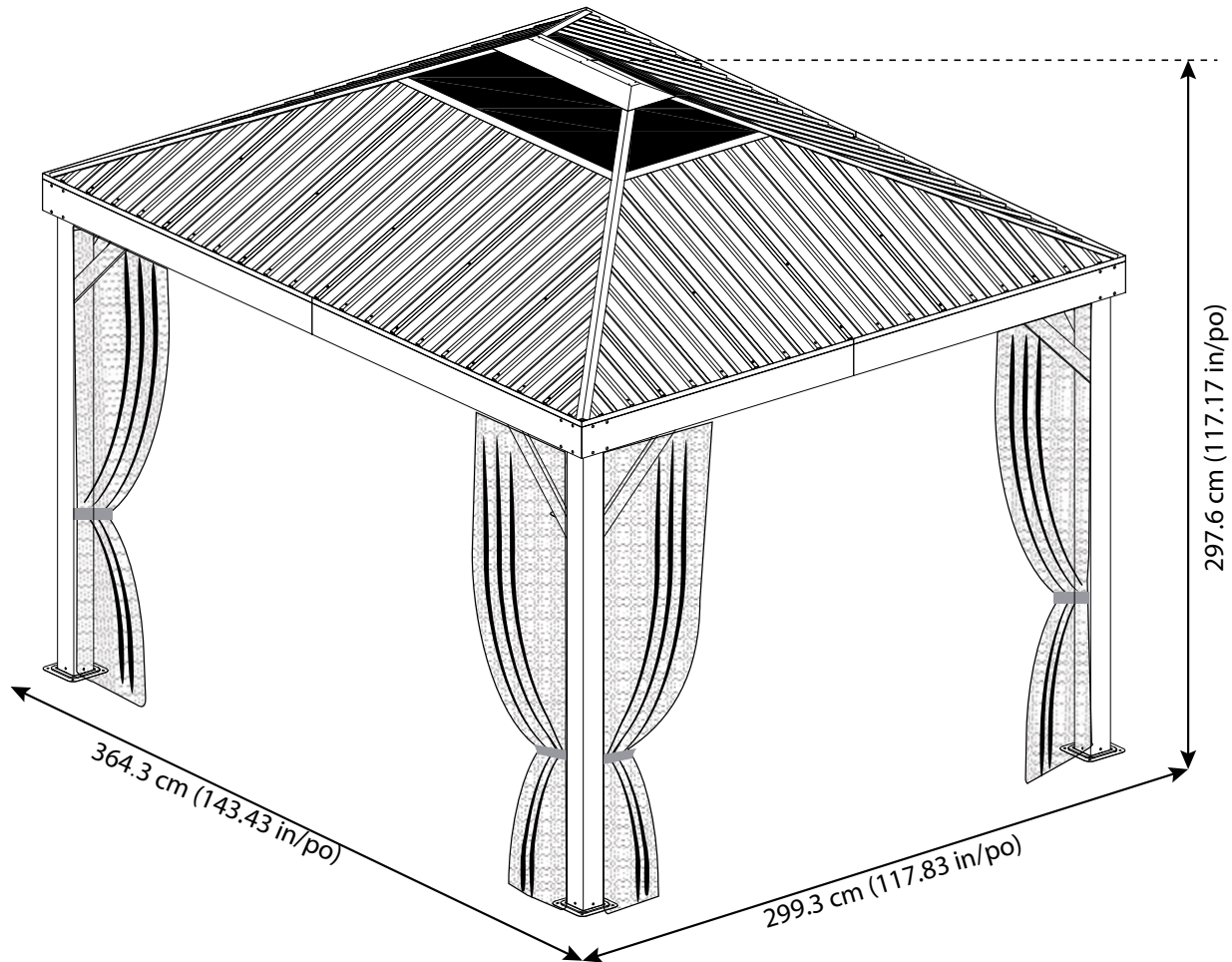
IMPORTANT, RETAIN FOR FUTURE REFERENCE: READ CAREFULLY

IMPORTANT : CONSERVER POUR RÉFÉRENCE FUTURE ET LIRE ATTENTIVEMENT

IMPORTANTE : CONSERVE PARA REFERENCIA FUTURA. LEA CUIDADOSAMENTE ANTES

중요: 주의 깊게 읽고 나중에 참조할 수 있도록 보관하십시오

VIKTIGT, BEHÅLL FÖR FRAMTIDA REFERENS: LÄS NOGA



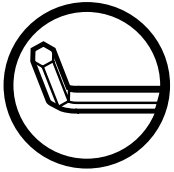
For Outdoor Use only. Not for Commercial Use.

Pour usage extérieur seulement. Pas pour usage commercial.

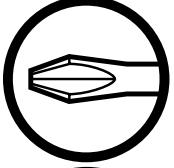
Solo para uso en exteriores. No para uso comercial.

이 제품은 옥외용이며 상업용이 아닙니다.

Endast för utomhusbruk. Ej för kommersiella sammanhang.



Use the hex keys in the box. / Utilisez les clés hexagonales fournies dans la boîte. / Utilice las llaves hexagonales en la caja. / 상자에 육각 키를 사용 하십시오. / Använd medföljande sexkantsnyckel.



Please use a Phillips screwdriver. / Utilisez un tournevis de type Phillips / Por favor, use un destornillador Phillips. / 십자 드라이버를 사용 하십시오. / Använd Phillips skruvmejsel.



You may need to use a drill for this step. / Vous pouvez avoir besoin d'utiliser une perceuse pour cette étape. / Puede que tenga que utilizar un taladro para este paso. / 이 단계에선 드릴을 사용해야 할 수도 있습니다. / Borrmaskin kan behöva användas.



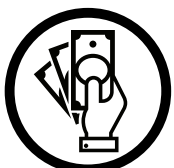
Wearing protective gloves is recommended. / Le port de gants de protection est recommandé / El uso de guantes de protección se recomienda. / 보호 장갑을 착용 하는 것이 좋습니다. / Använd skyddshandskar.



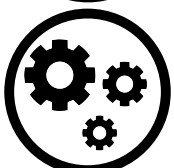
Two or more people are required at this stage. / Deux personnes ou plus sont nécessaires à cette étape. / Dos o más personas se requieren en esta etapa. / 이 단계에서는 두 명 이상 이 필요합니다. / Två eller fler personer behövs i detta steg.



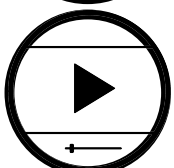
Do not tighten screws all the way for now. / Ne pas visser fermement pour l'instant. / No atornille con firmeza por ahora. / 아직 나사를 단단히 조이지 마십시오. / Dra inte skruvar helt än.



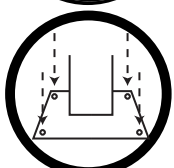
Sold separately. / Vendus séparément. / vendido en las opciones. / 옵션 판매 / Säljs separat.



Optional step / Étape optionnelle / Paso opcional / 선택적 단계 / Valfritt steg.



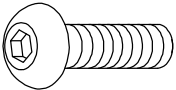
Assembly video link / Lien vidéo d'installation / enlace de video de ensamblaje / 조립비디오 링크 / Länk till monteringsvideo.
<https://www.shelterlogic.com/sojag/videos>



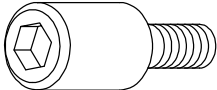
The gazebo must be anchored (hardware not included) / Le gazébo doit être ancré (quincaillerie non incluse) / El gazebo debe estar anclado (herramientas no incluidas) / 가제보를 반드시 바닥에 고정 시키세요. (고정 나사 부품 미포함) / Paviljongen måste förankras i marken (ingår inte).



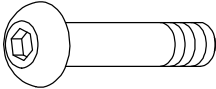
V X 265 (EXTRA 10 pcs)



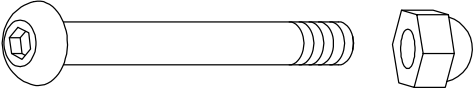
X X 32 (EXTRA 3 pcs)



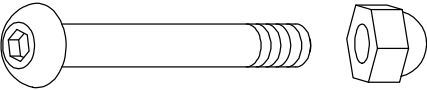
U1 X 4 (EXTRA 1 pcs)



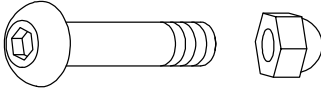
S X 12 (EXTRA 2 pcs)



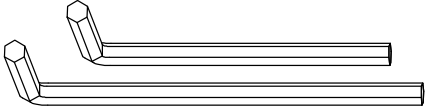
X1 X 4 (EXTRA 1 pcs)



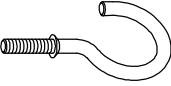
T X 64 (EXTRA 6 pcs)



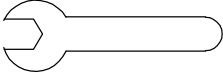
Z X 1

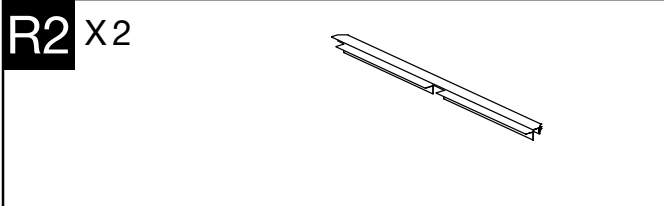
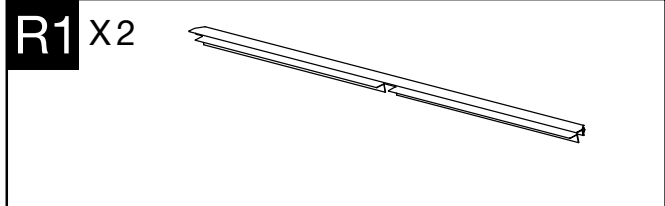
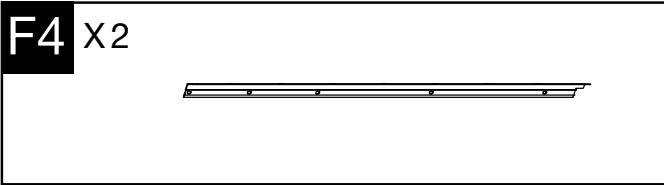
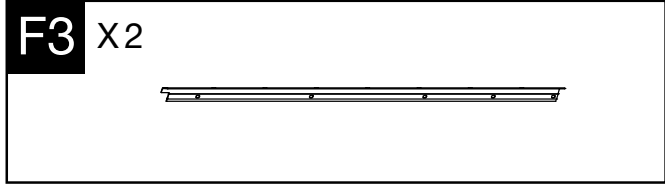
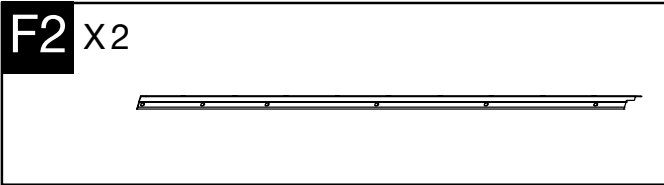
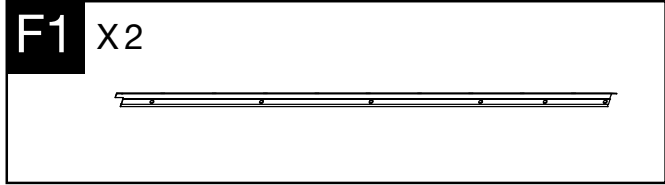
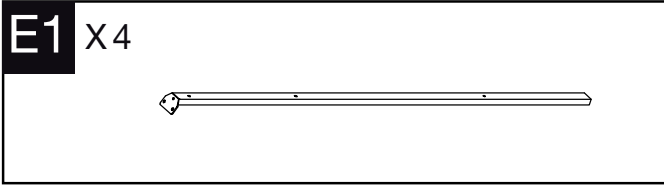
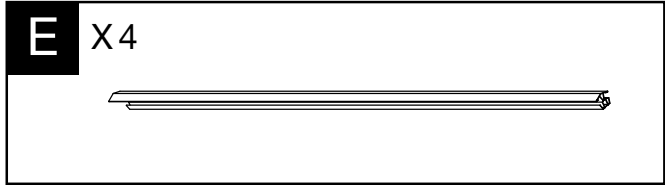
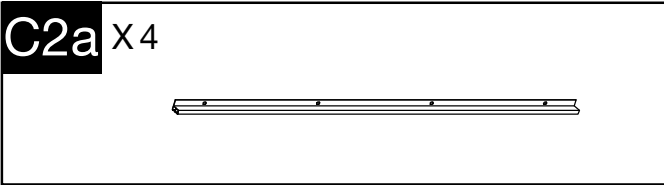
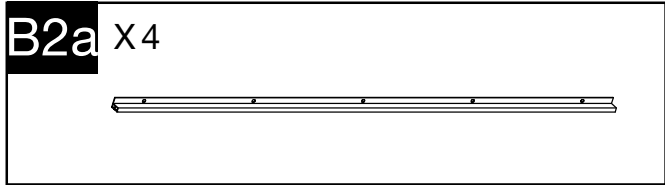
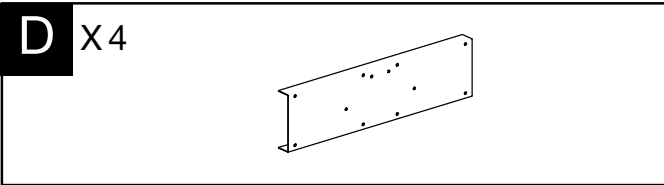
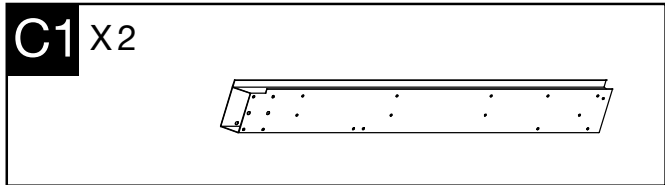
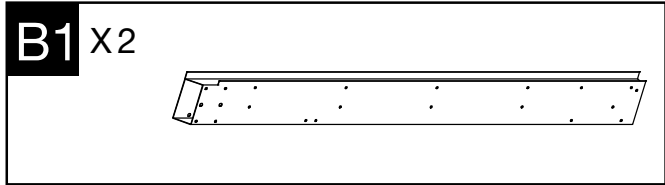
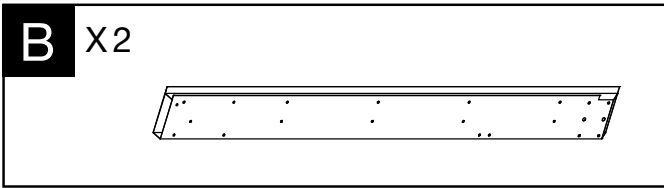
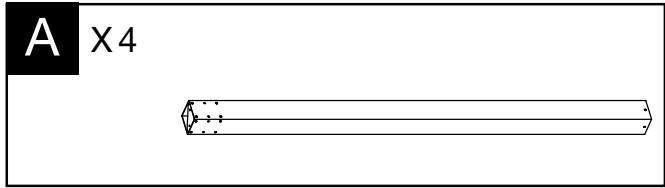


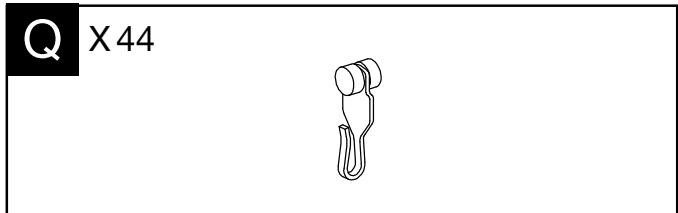
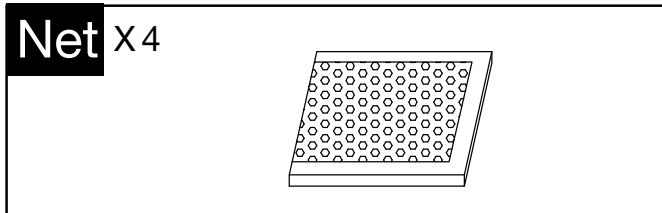
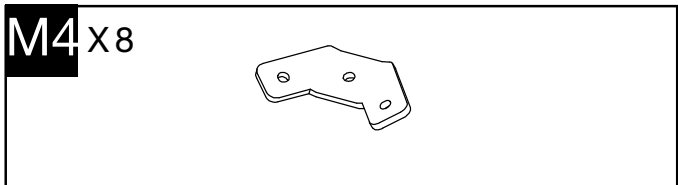
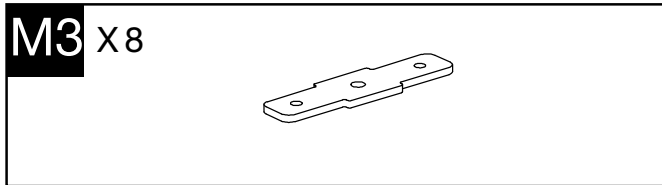
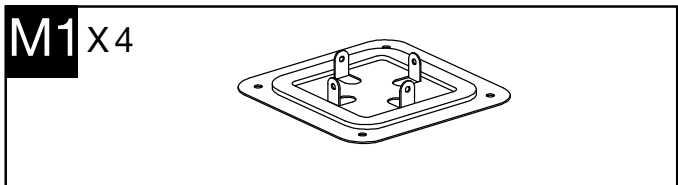
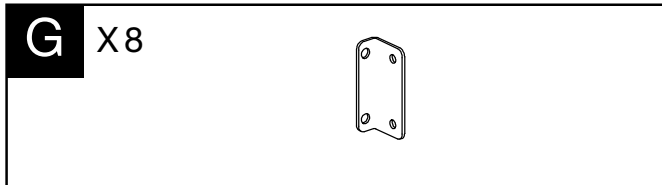
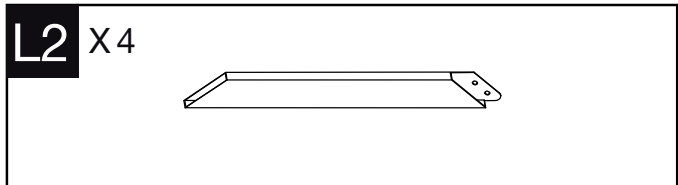
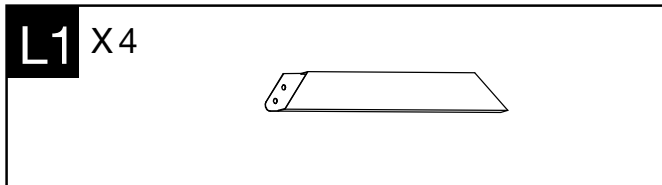
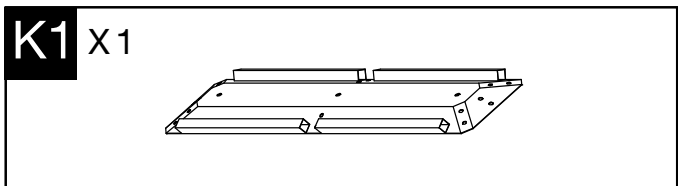
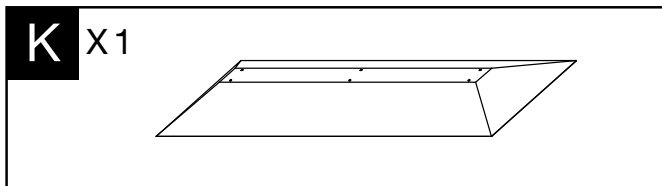
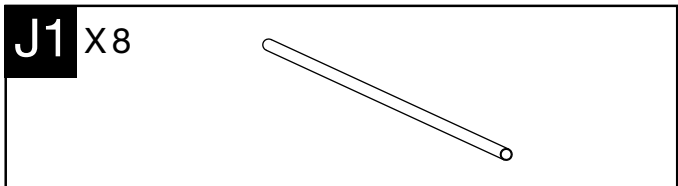
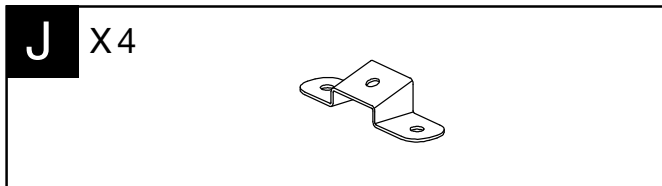
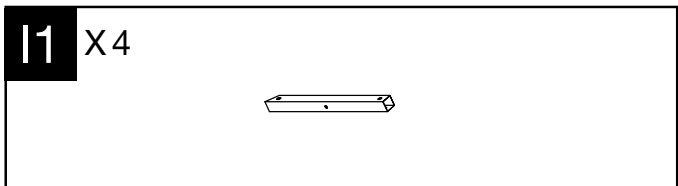
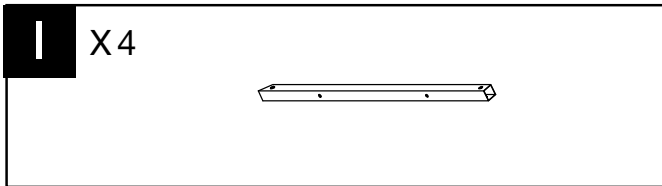
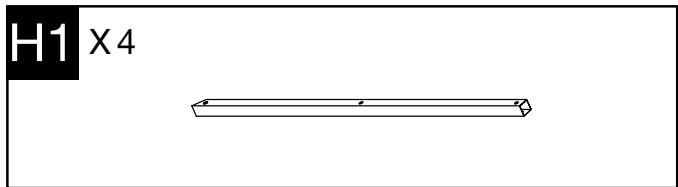
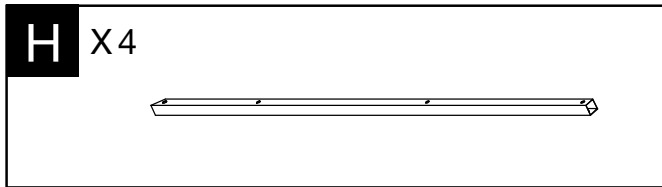
Wa X 2

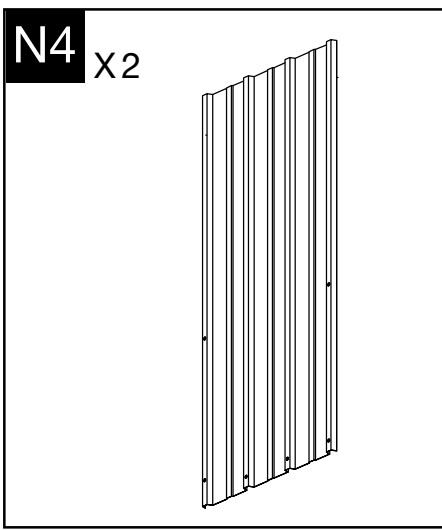
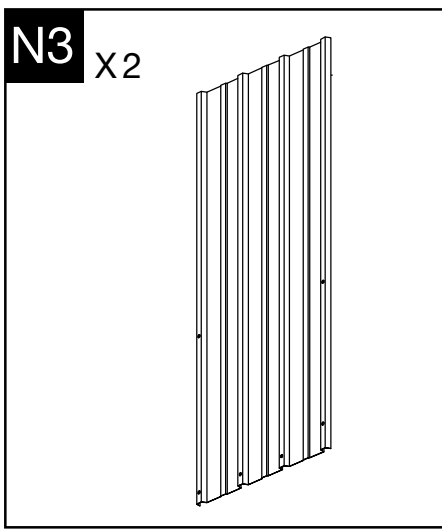
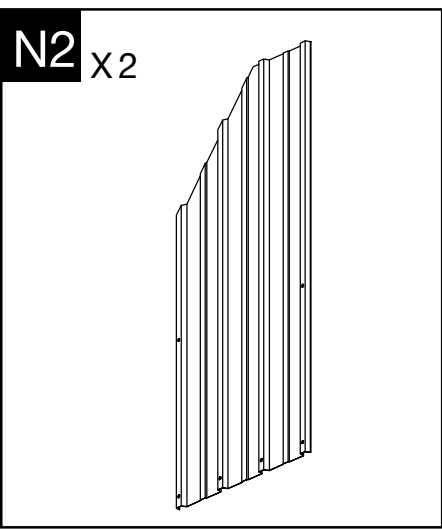
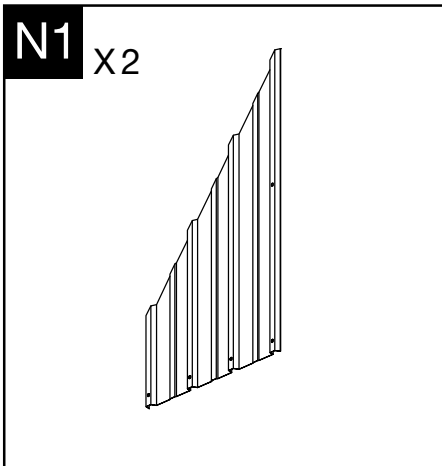
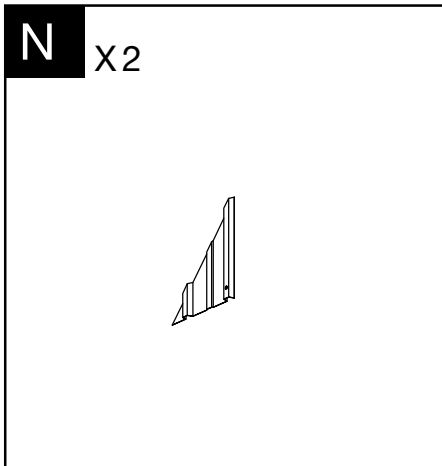
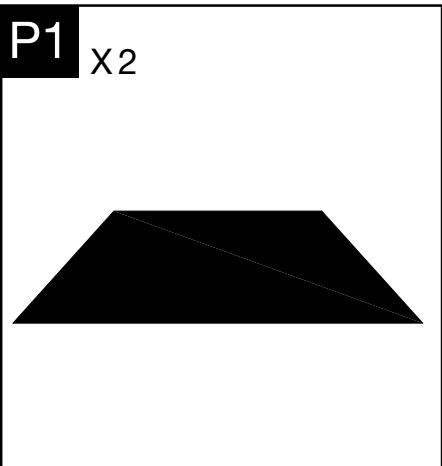
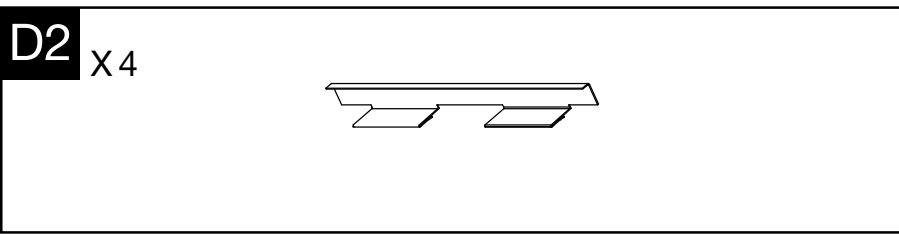
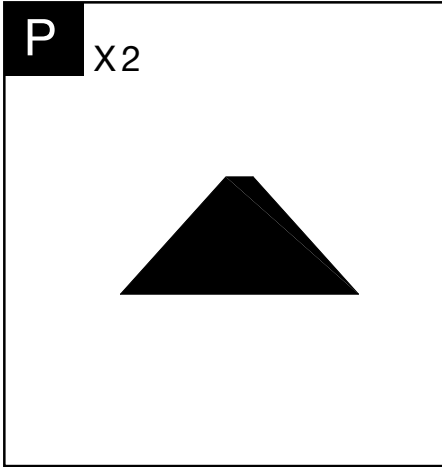
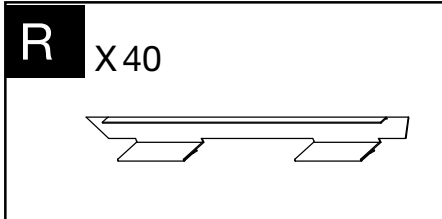
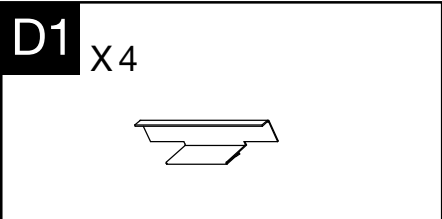


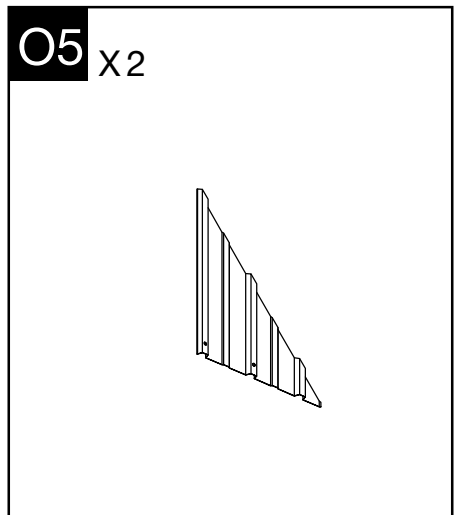
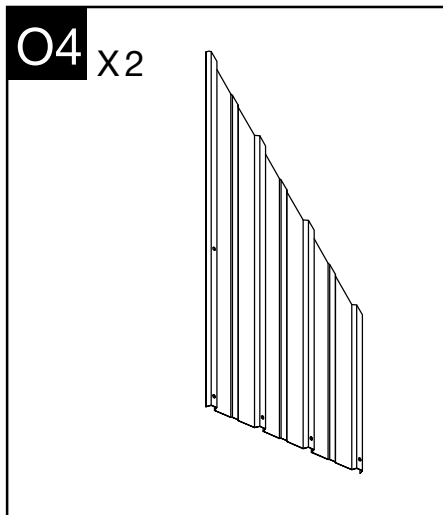
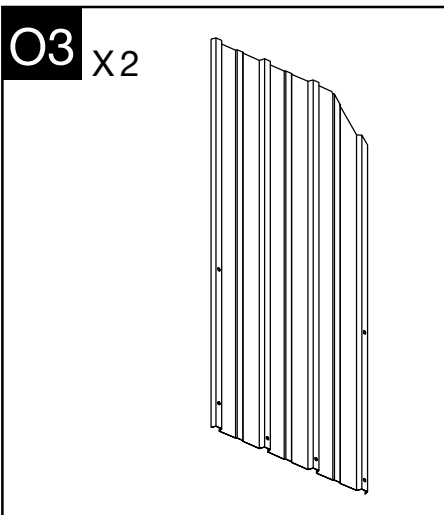
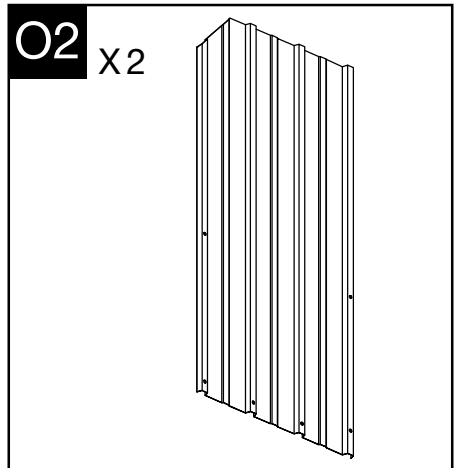
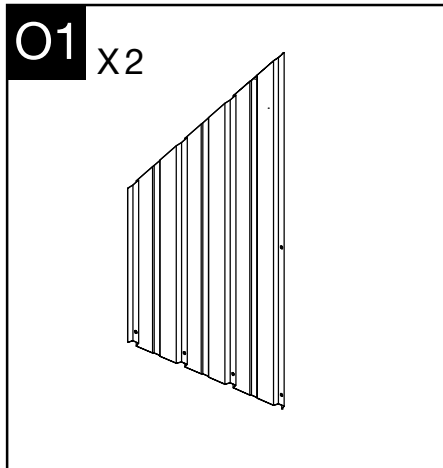
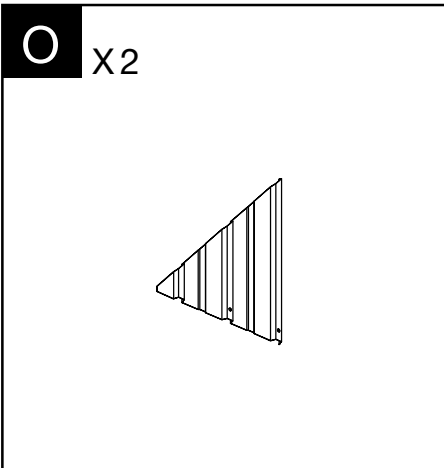
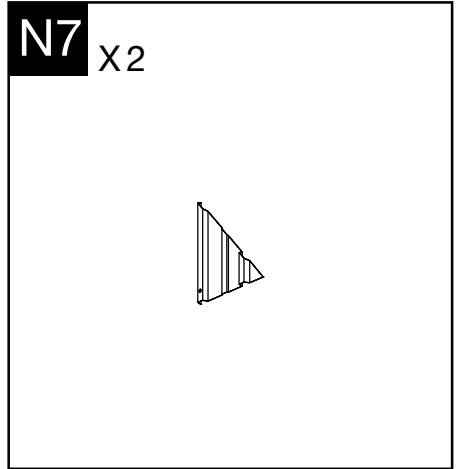
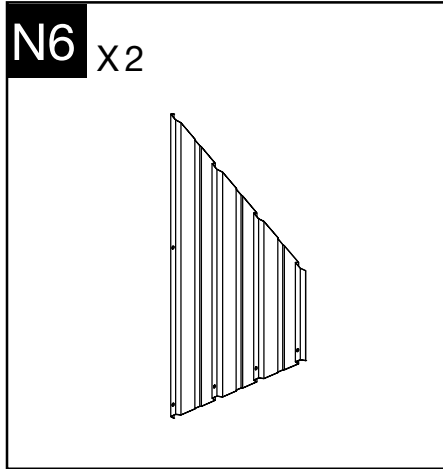
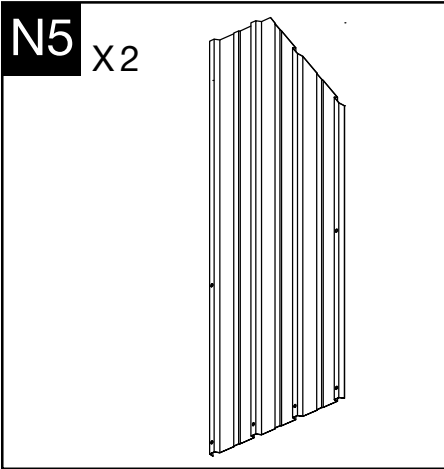
W2 X 1

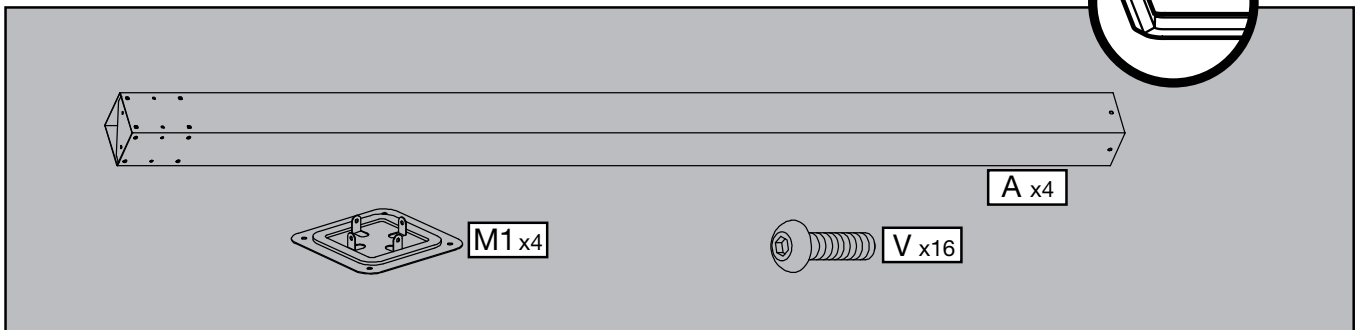
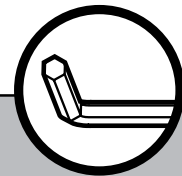
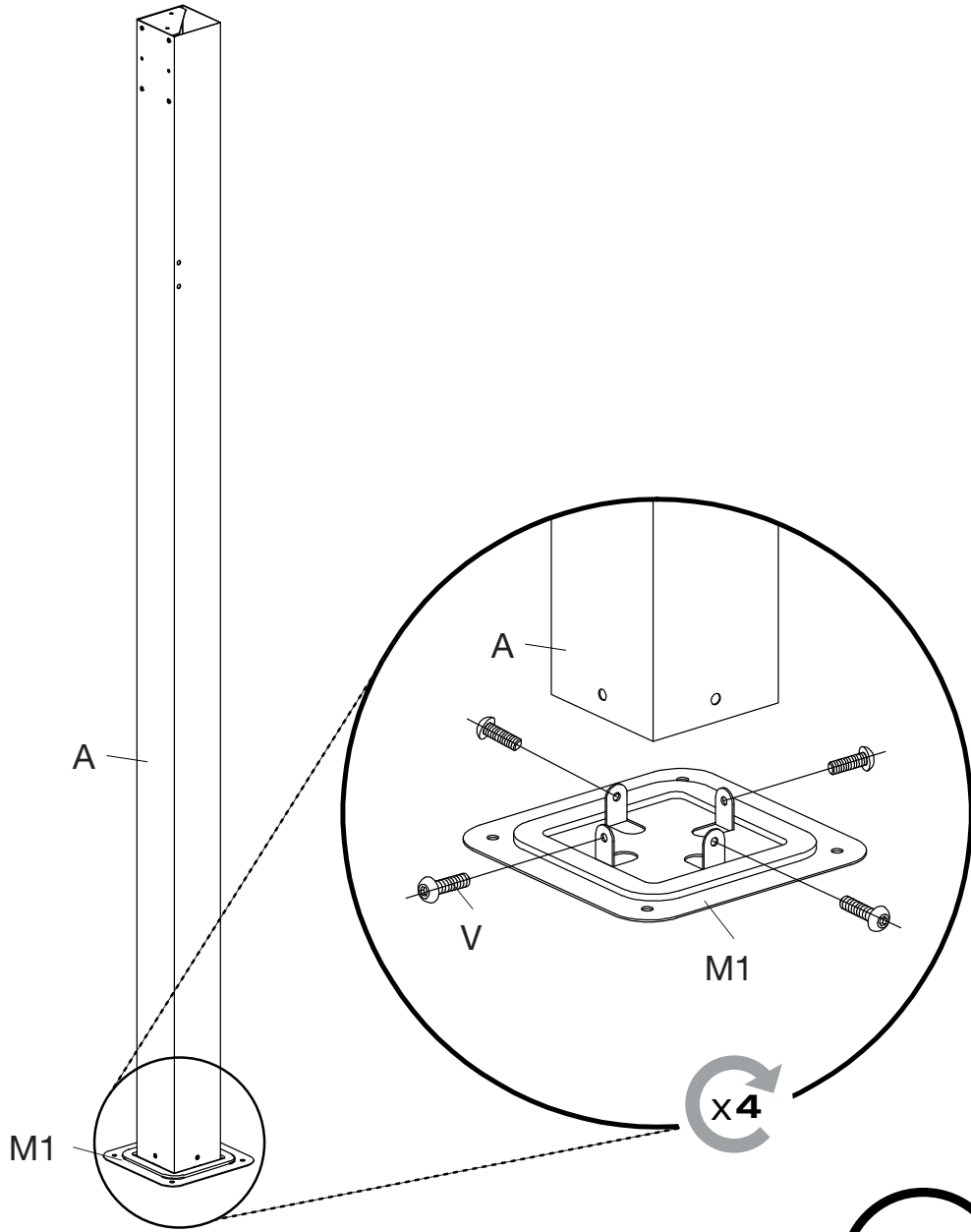


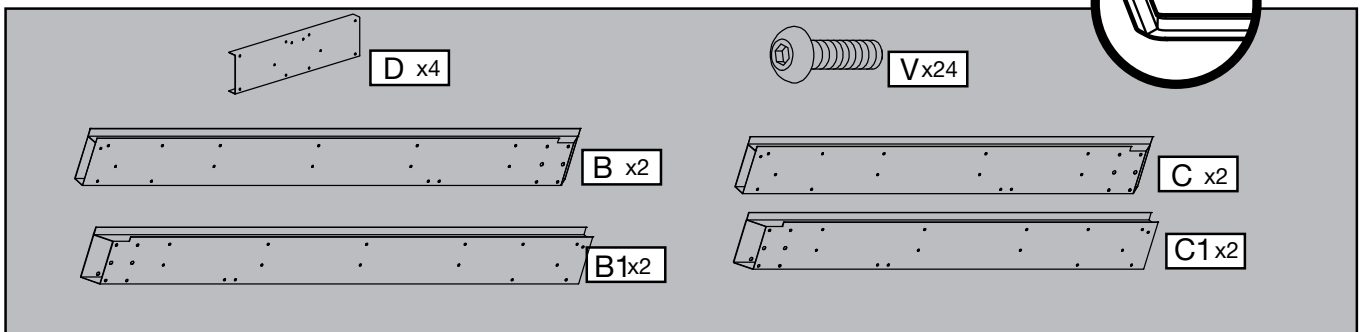
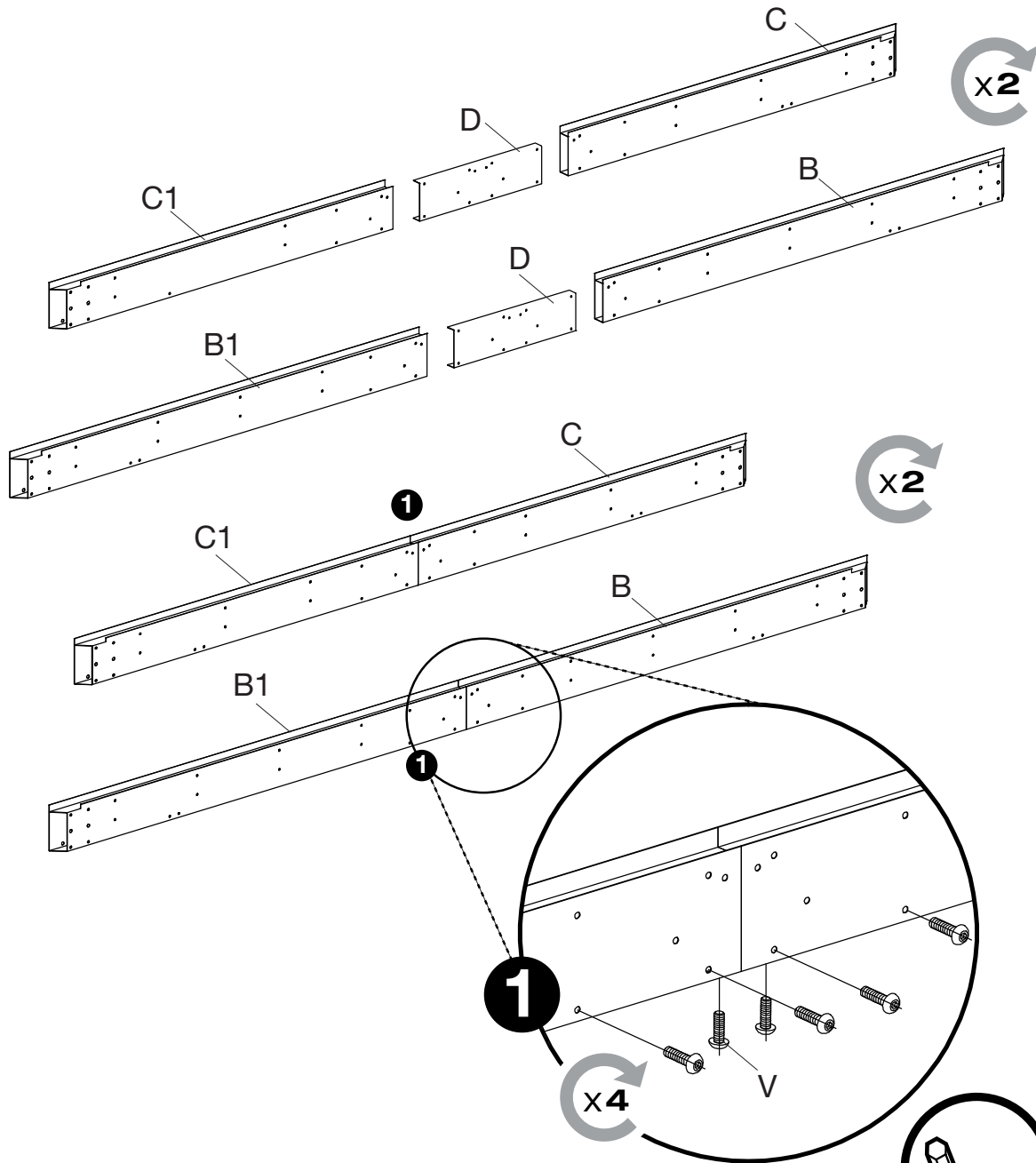


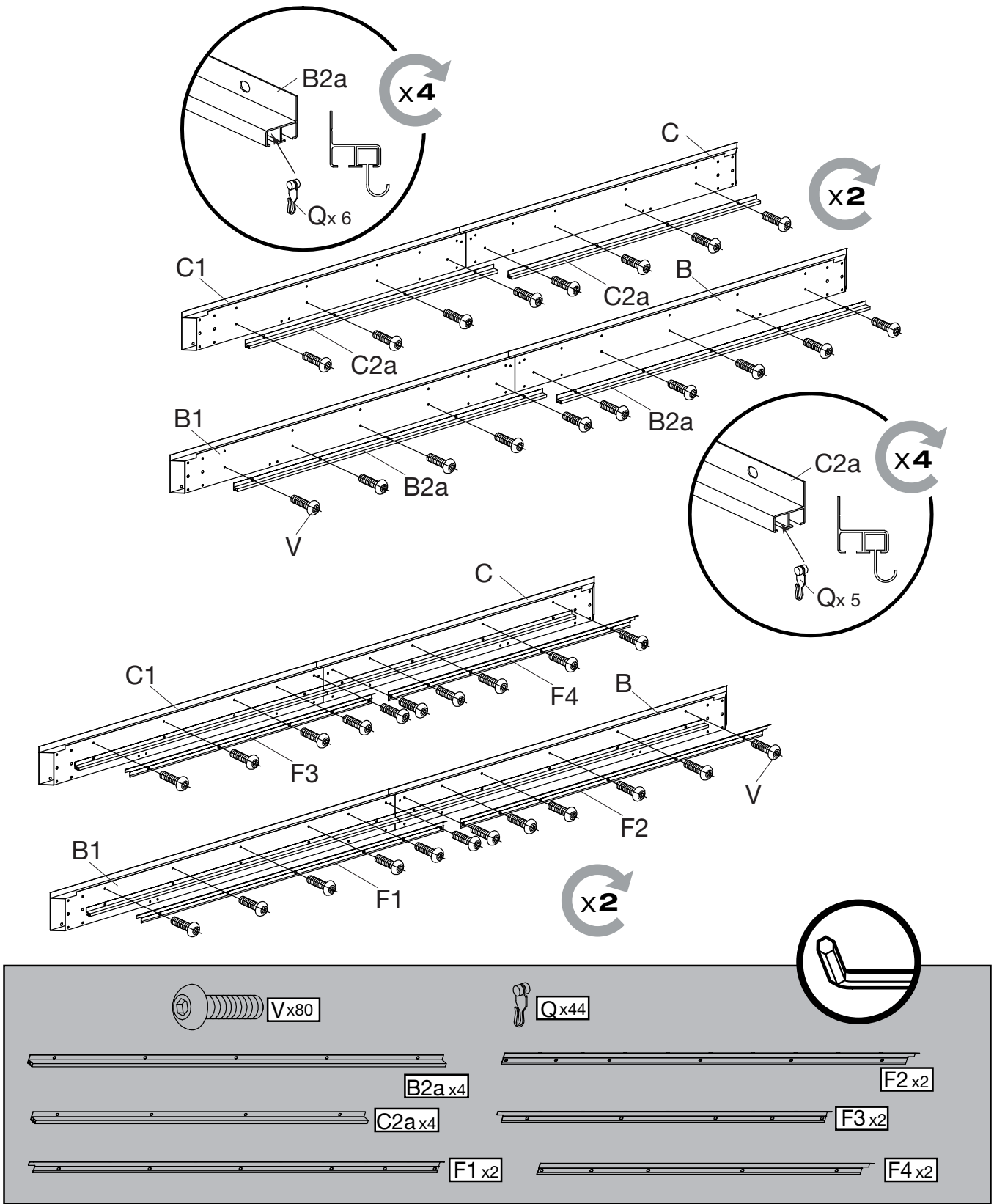


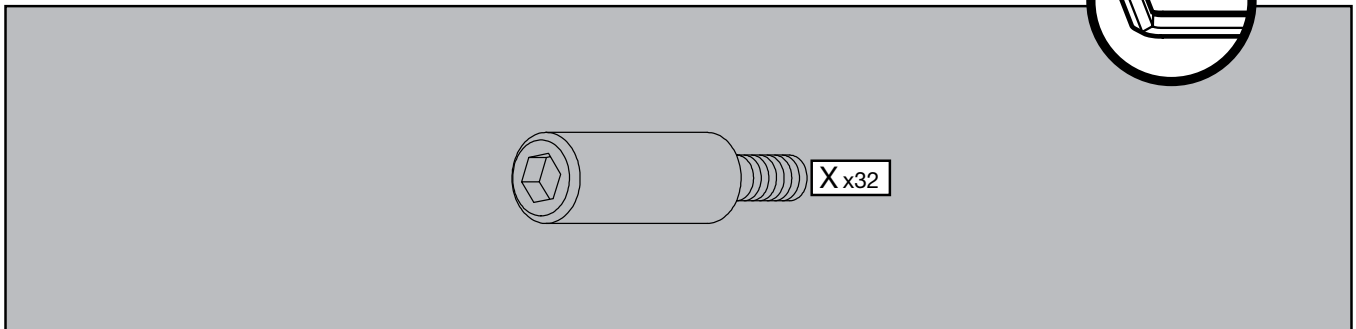
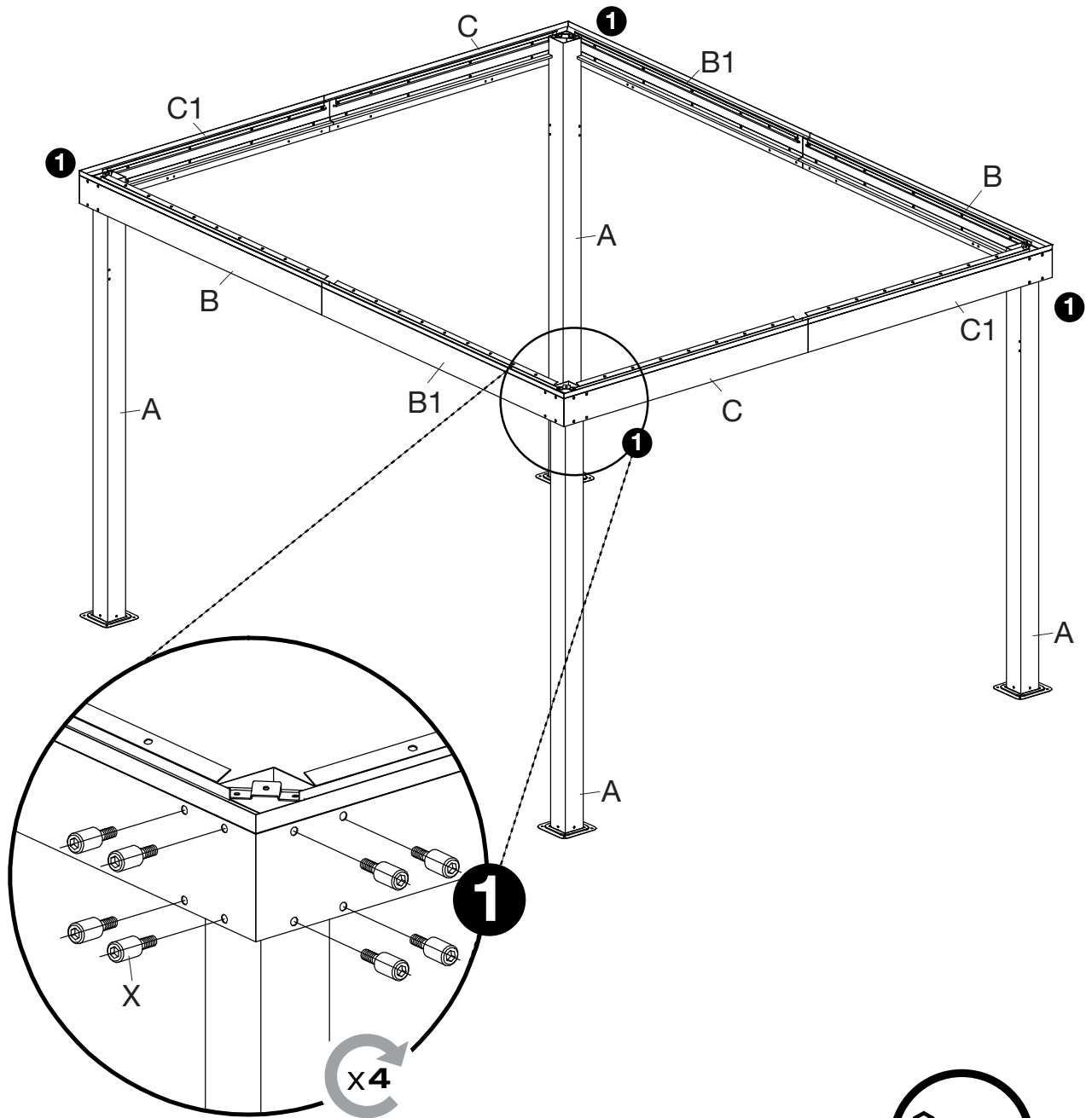


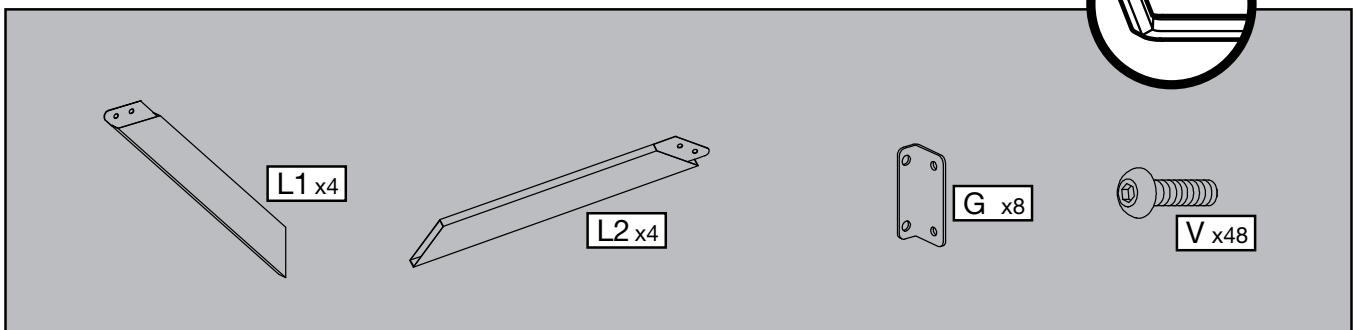
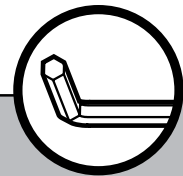
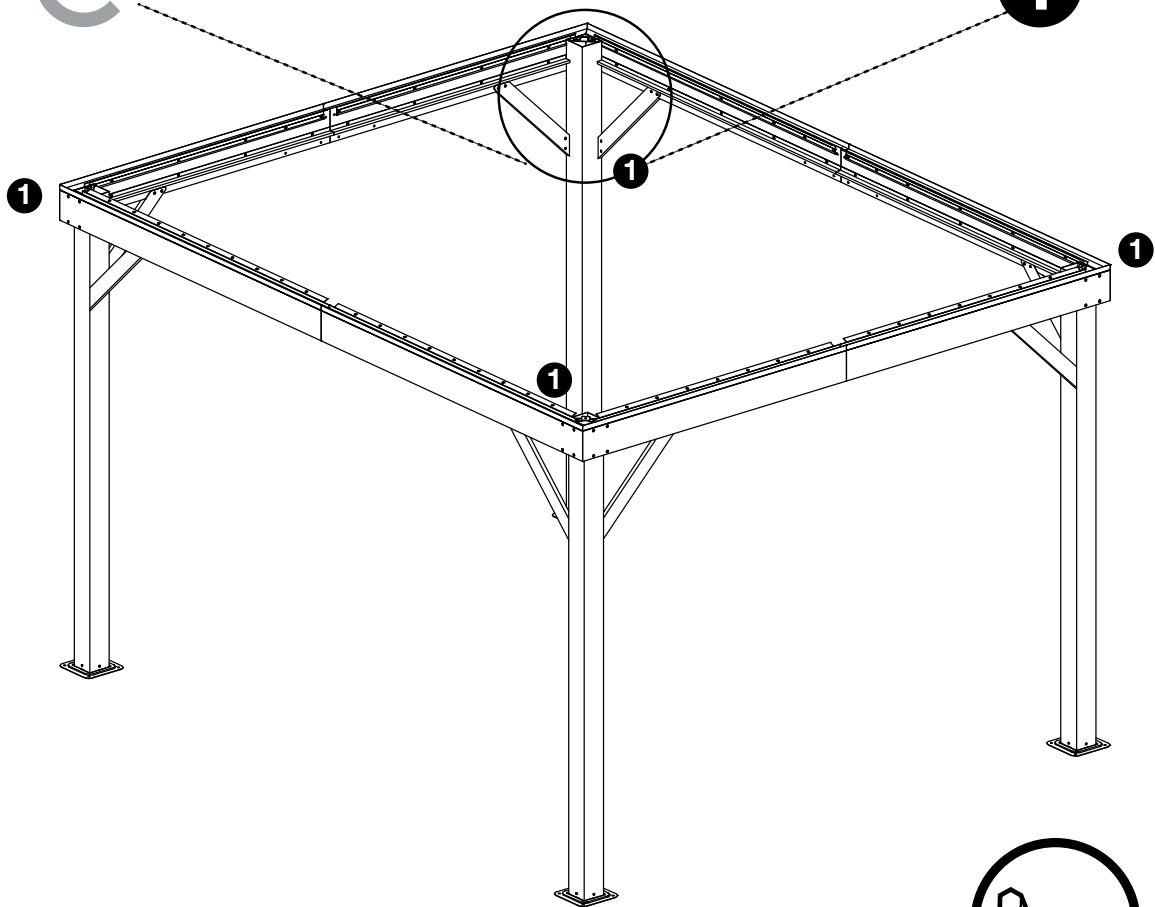
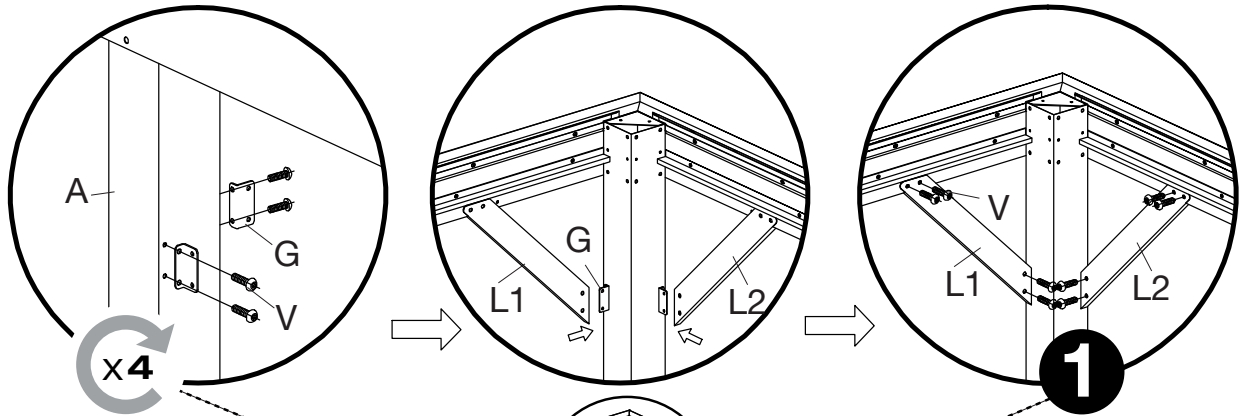


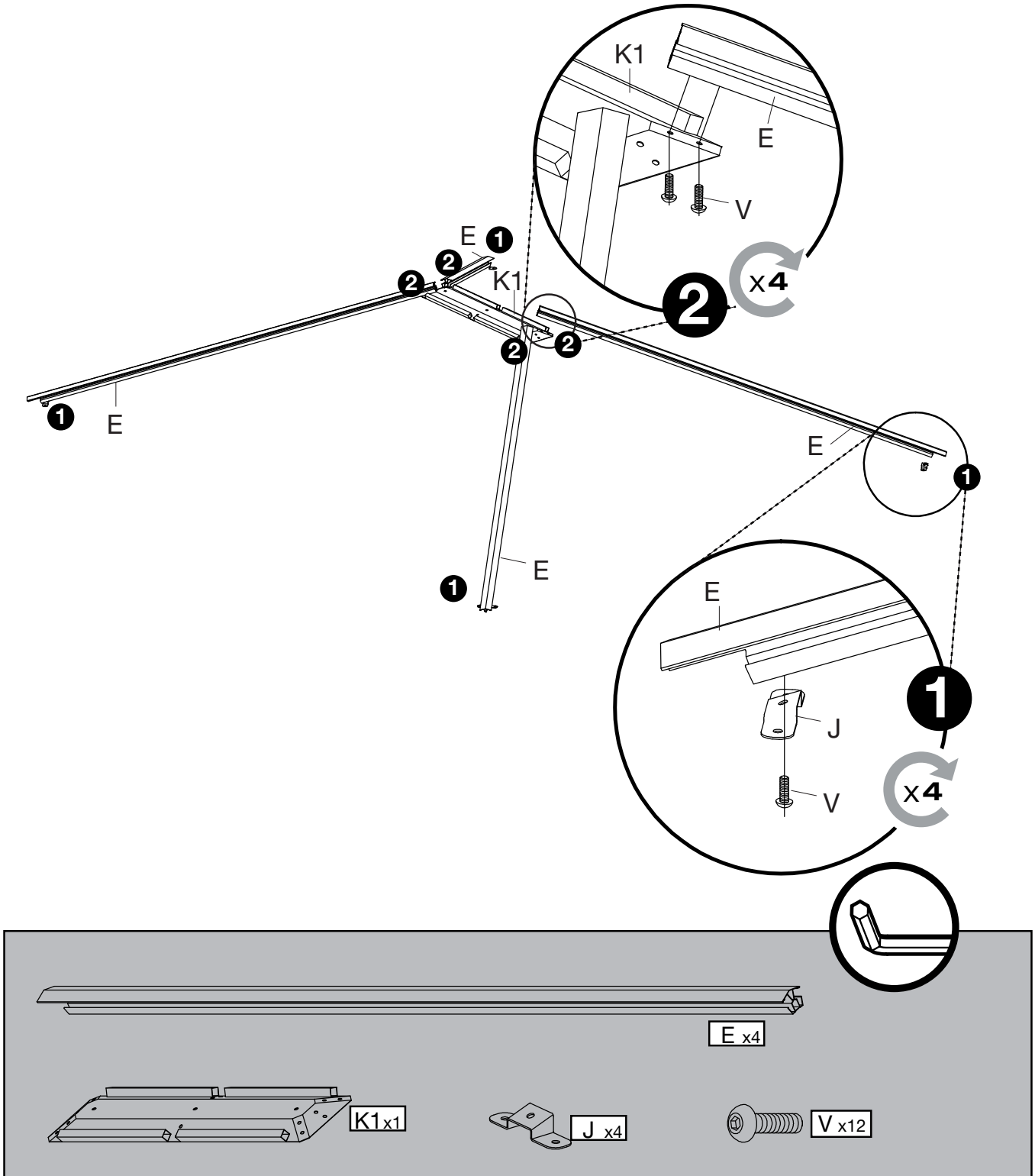


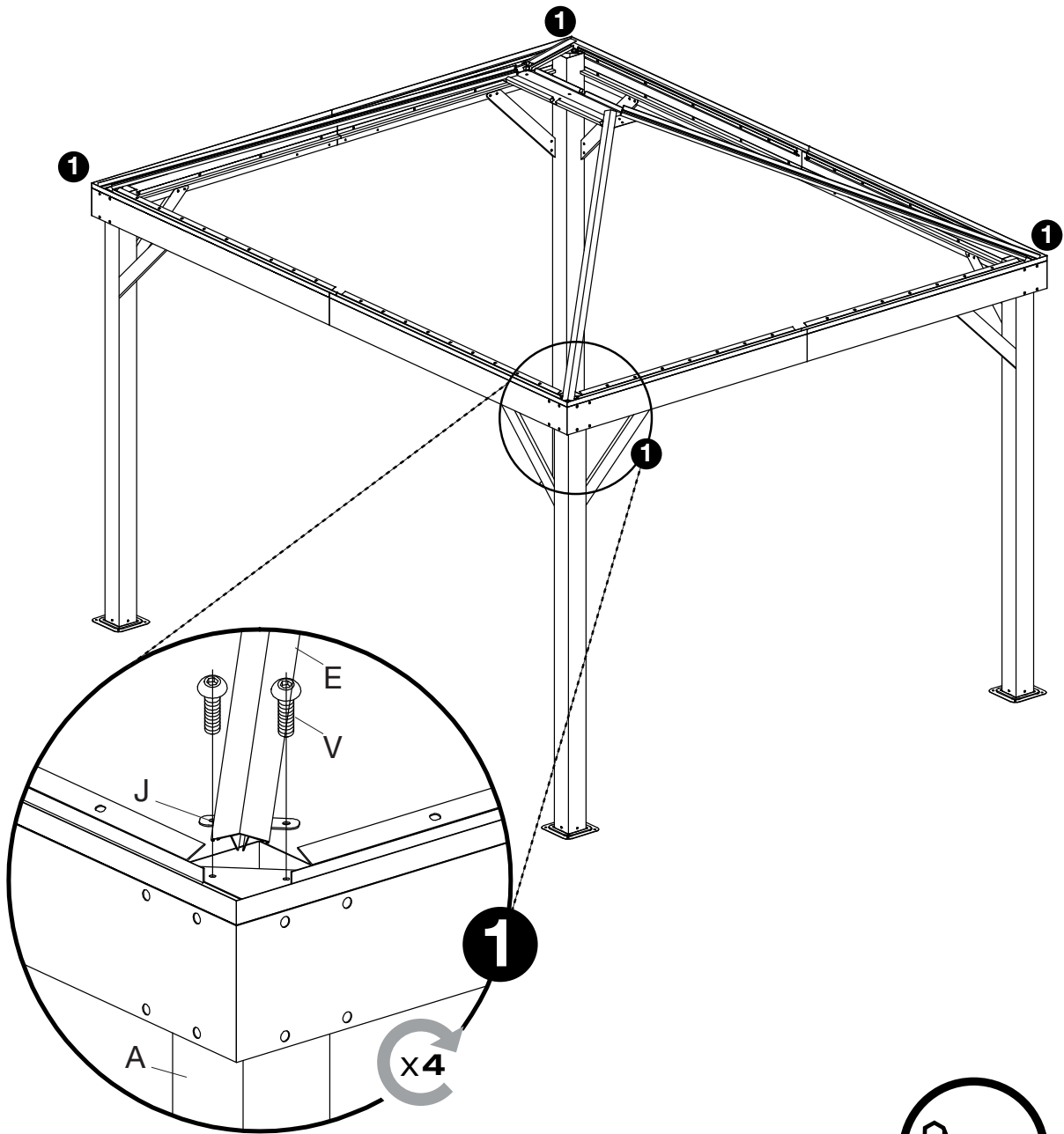


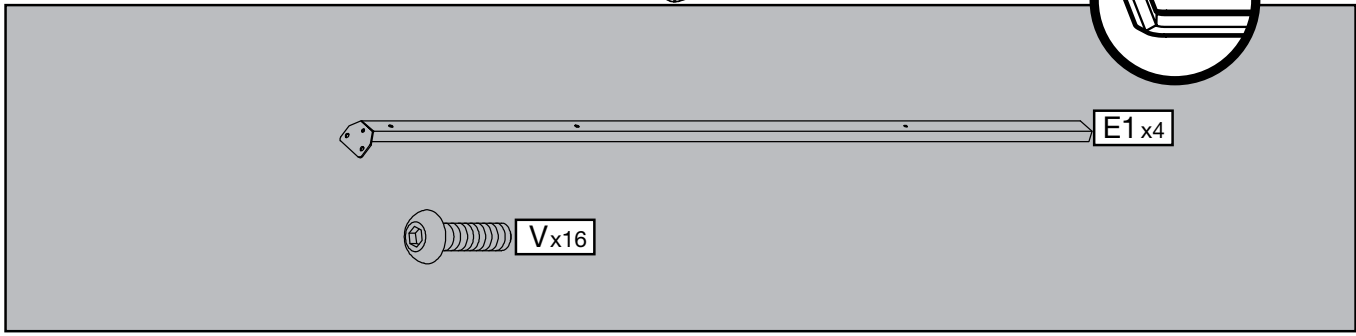
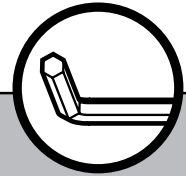
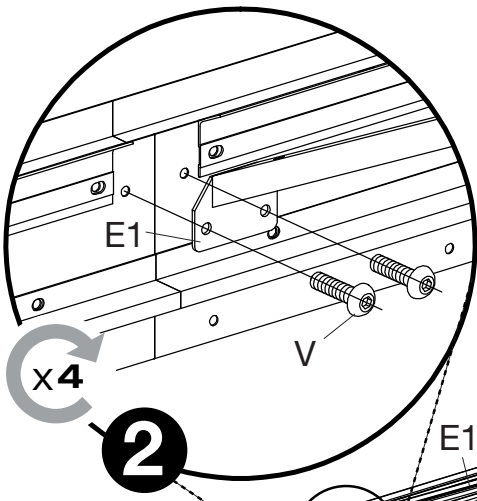
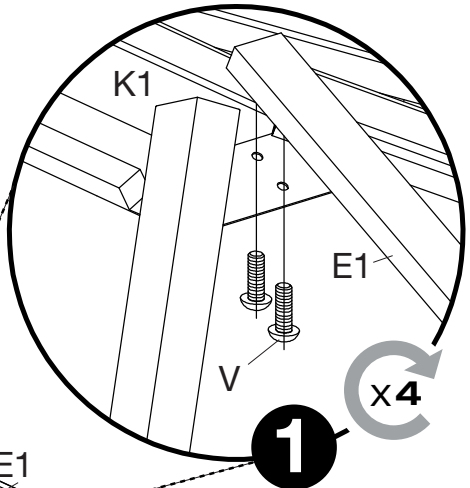
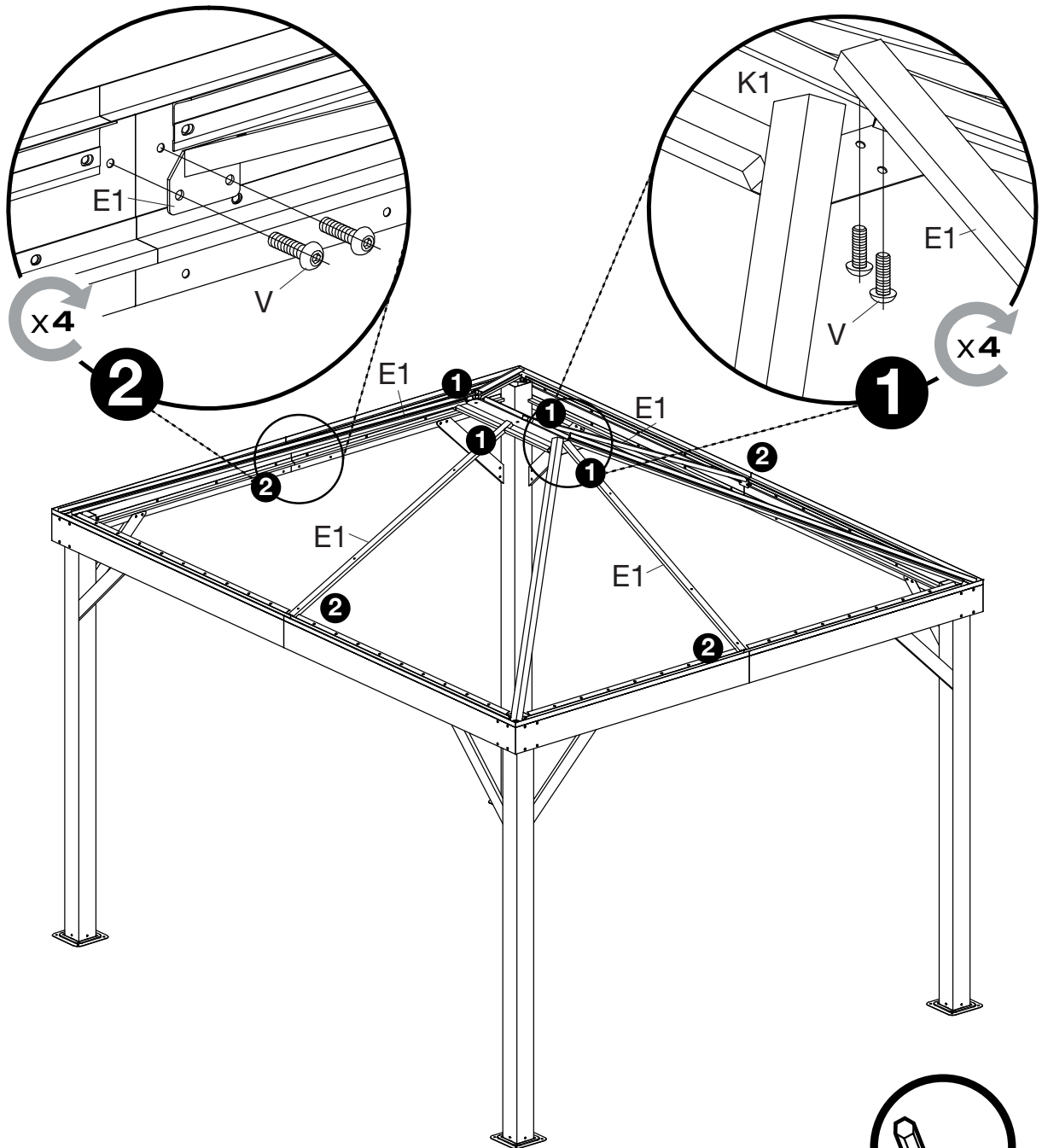


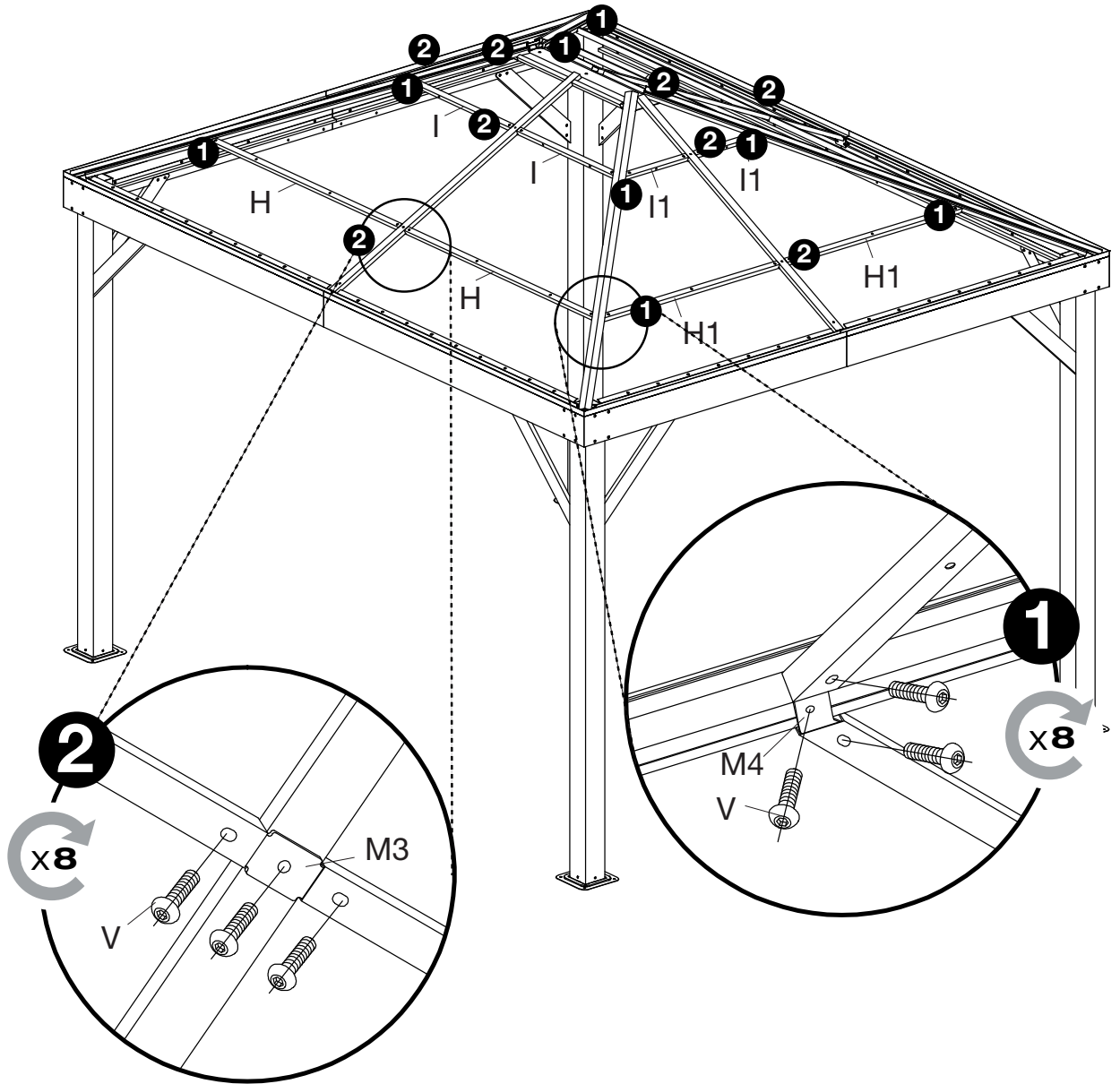








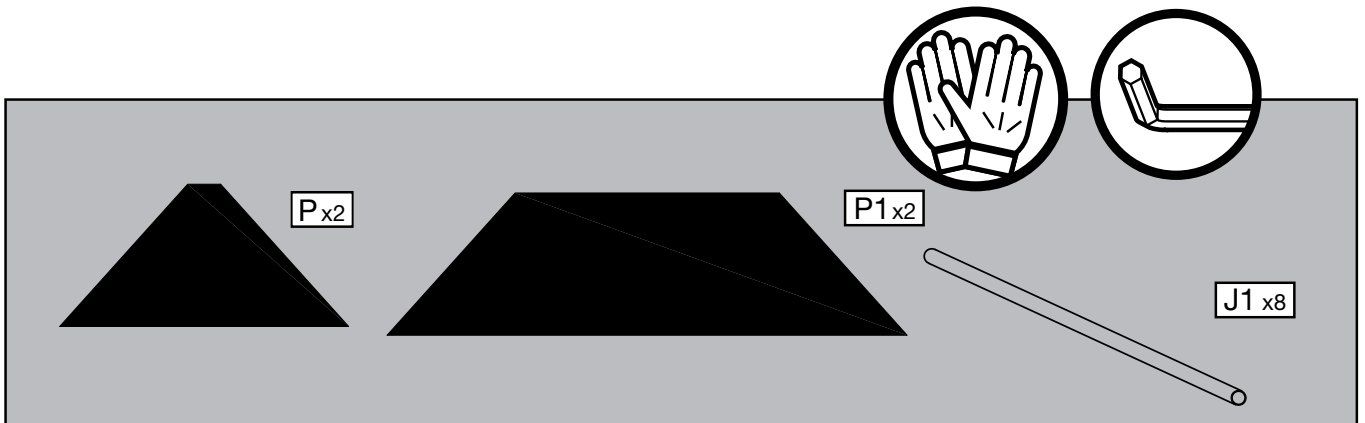
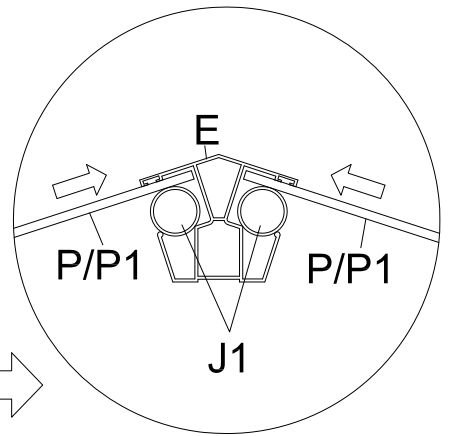
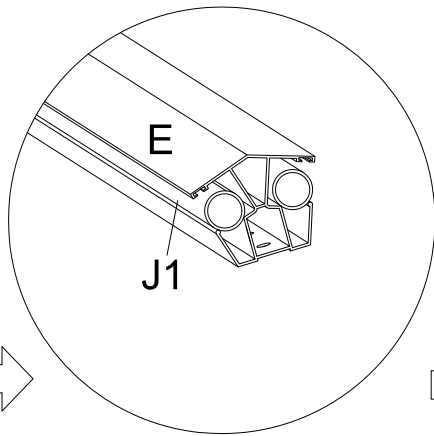
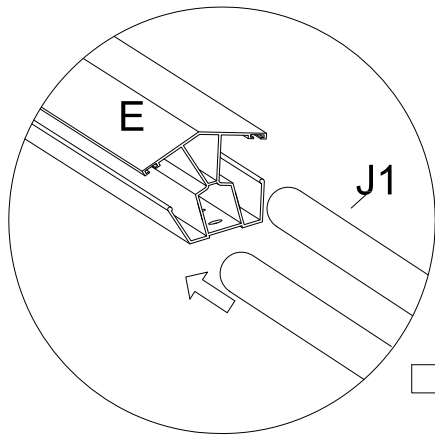
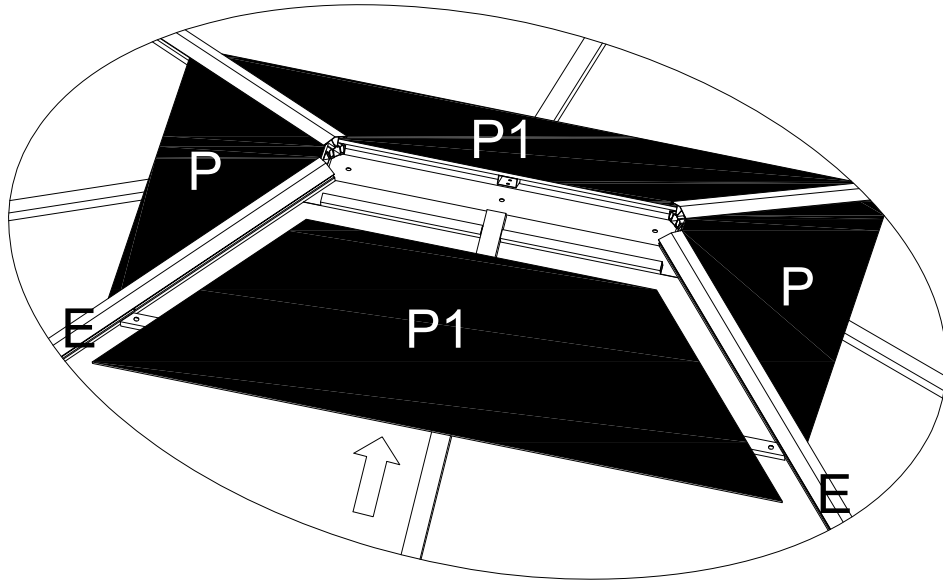


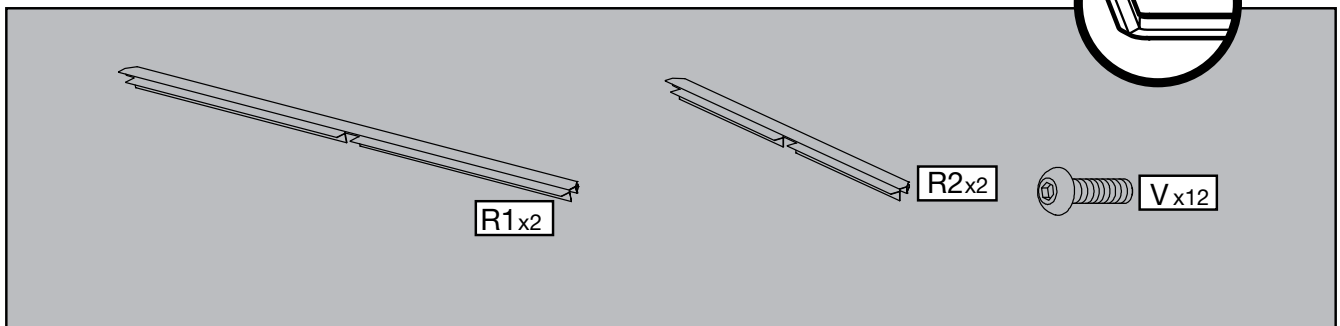
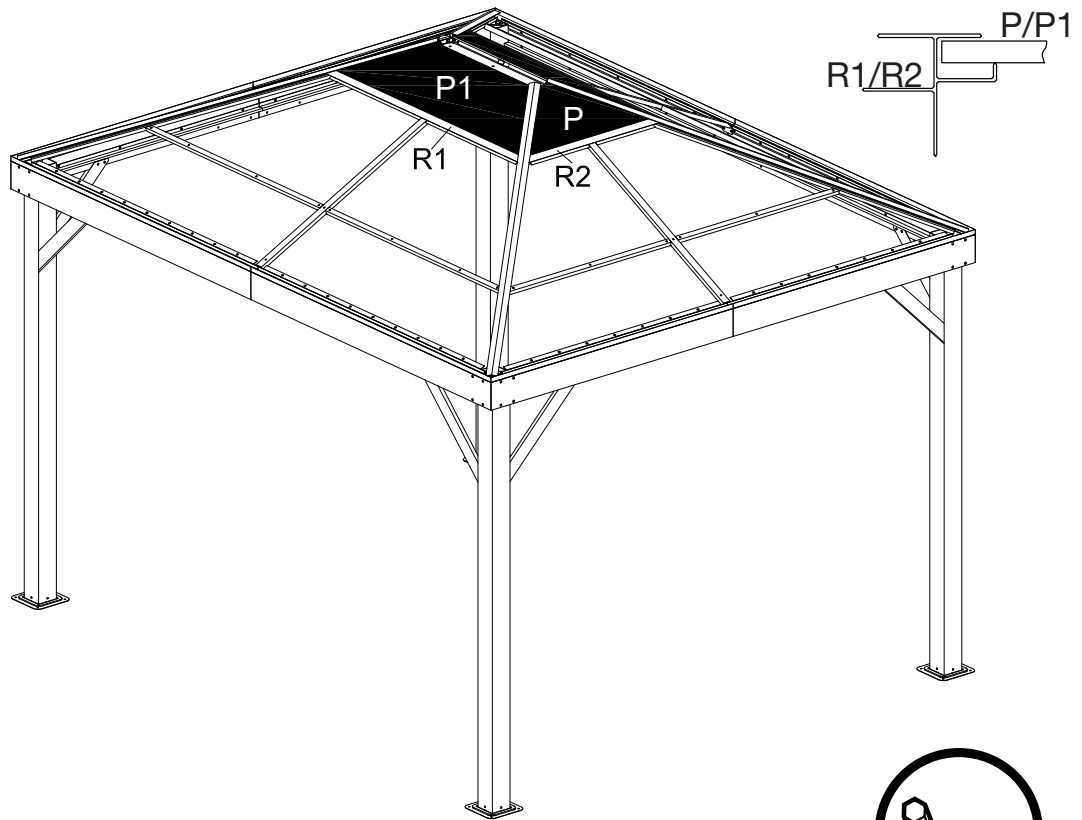
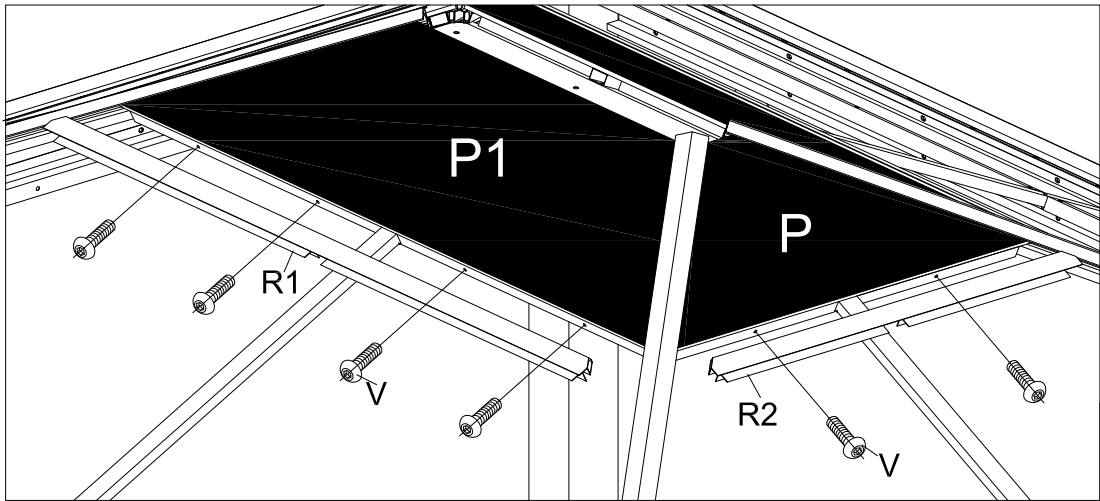


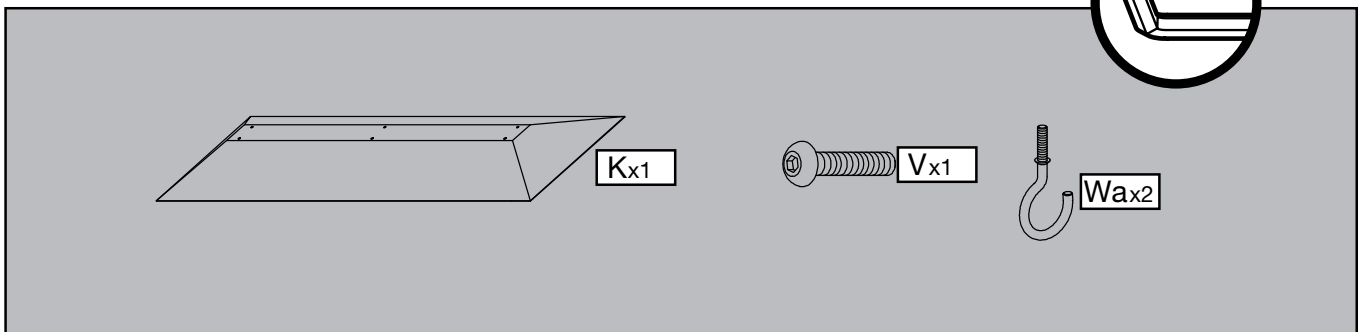
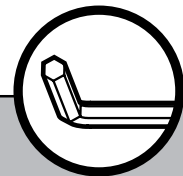
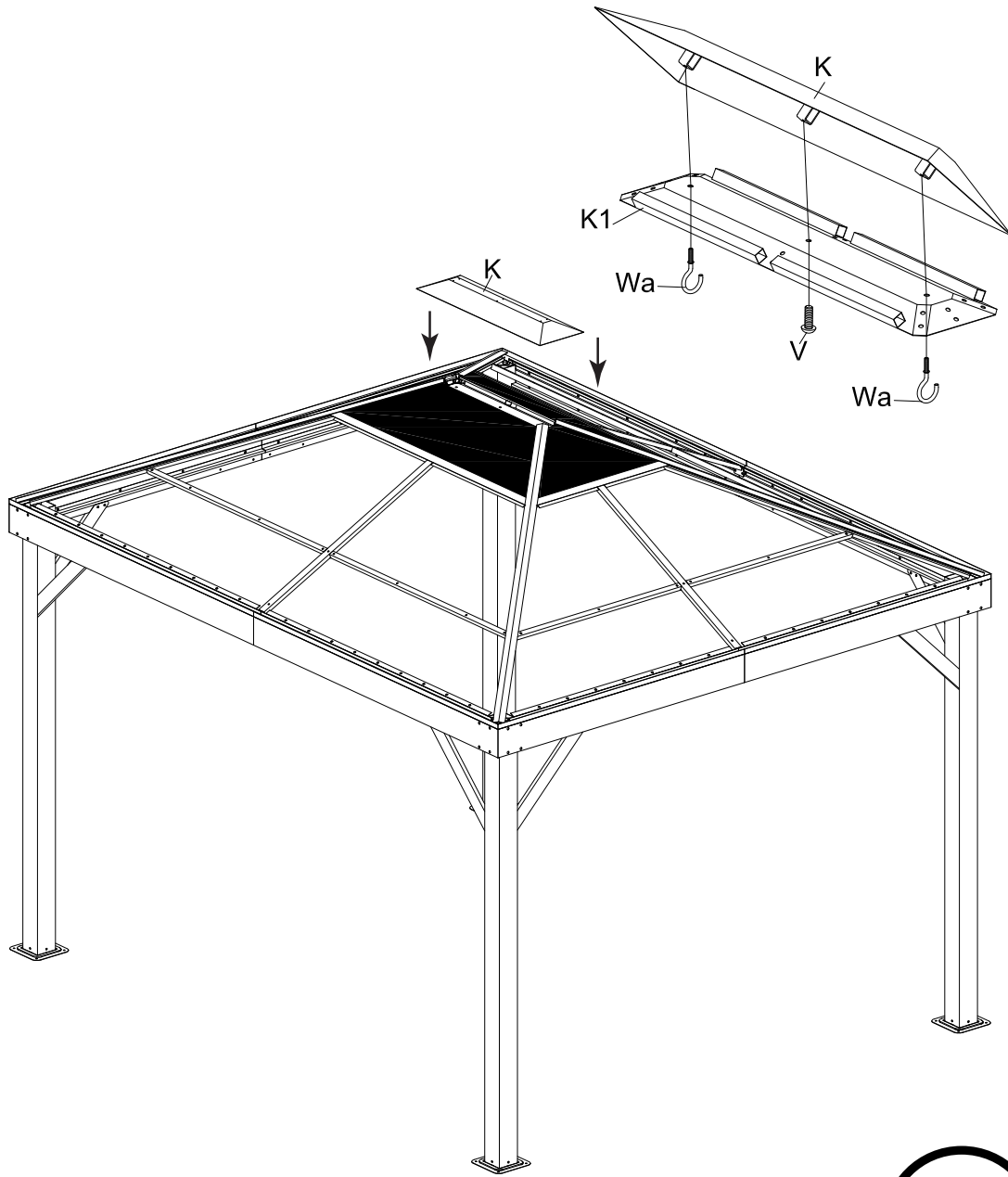
This section lists the parts required for assembly:

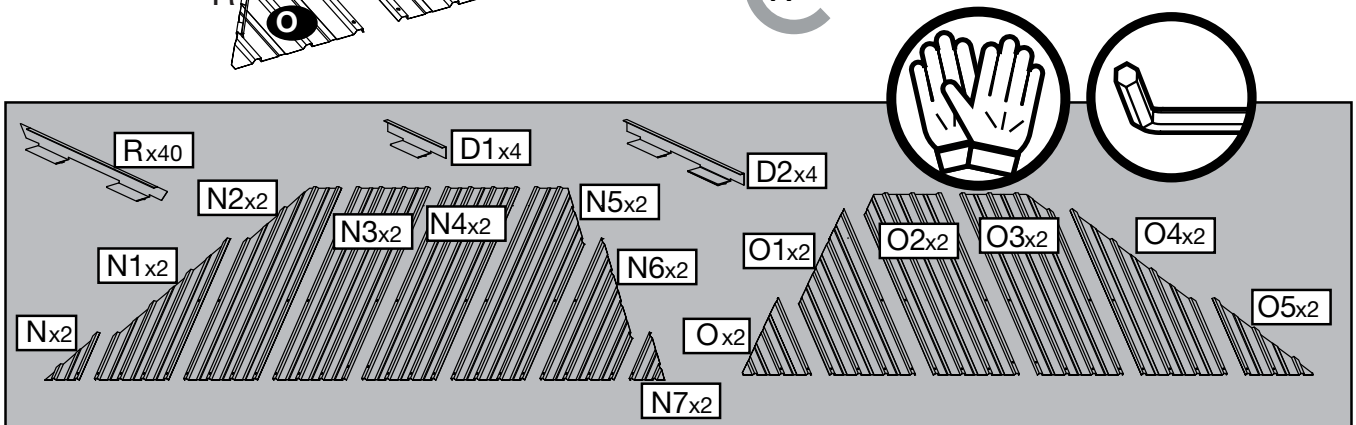
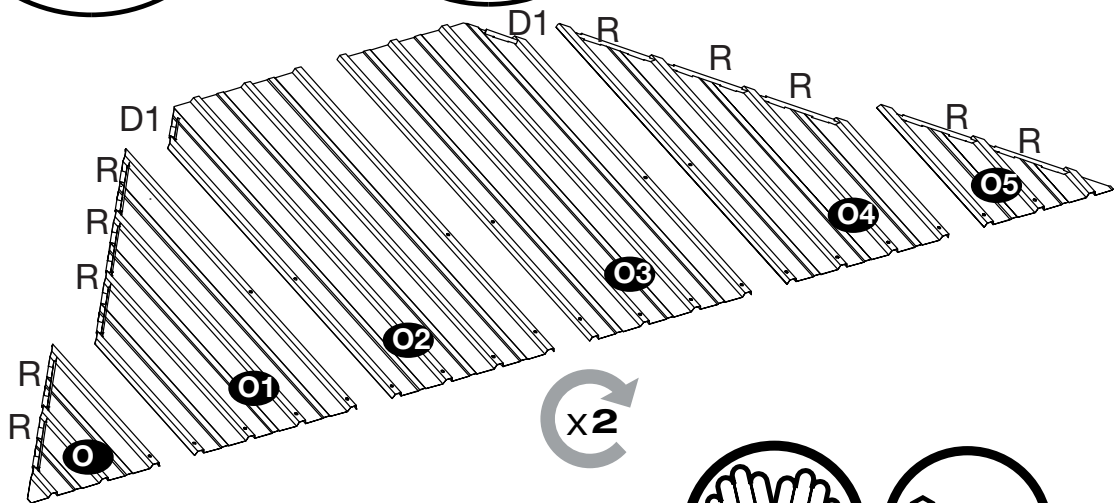
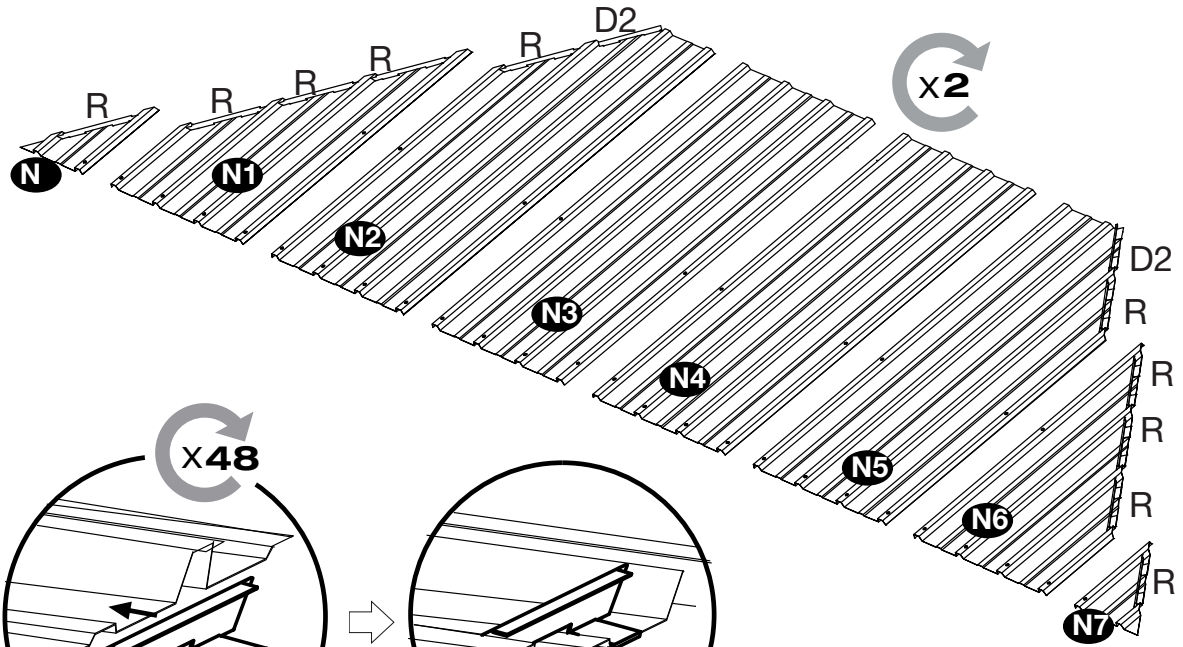
- H x4
- H1 x4
- I x4
- I1 x4
- M3 x8
- M4 x8
- V x48

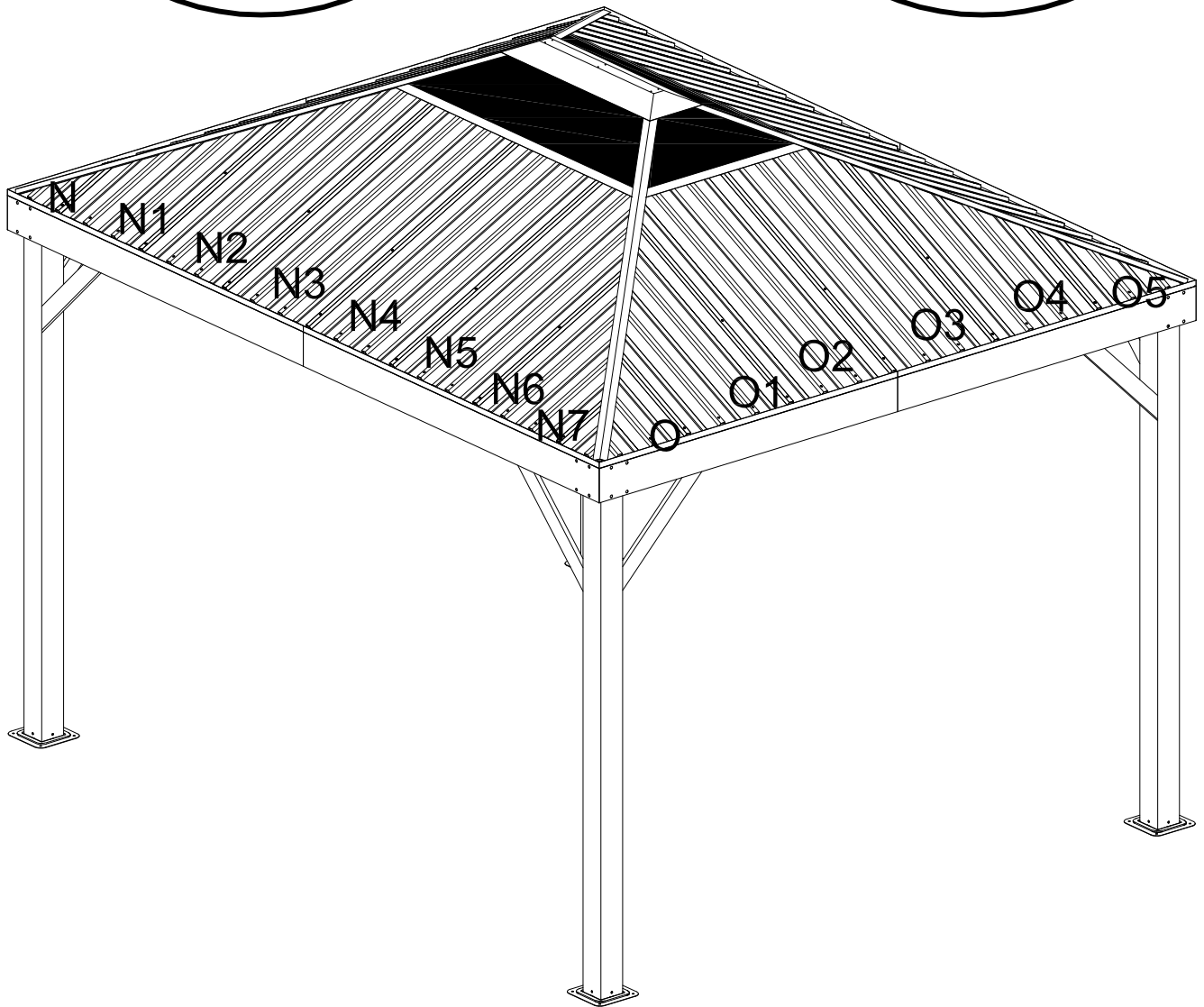
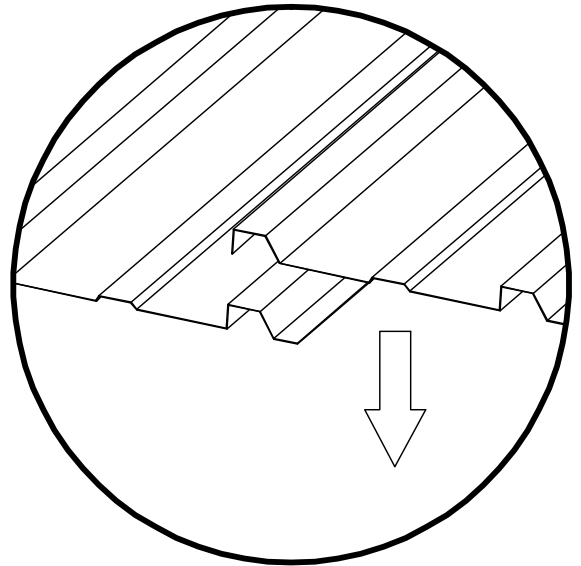
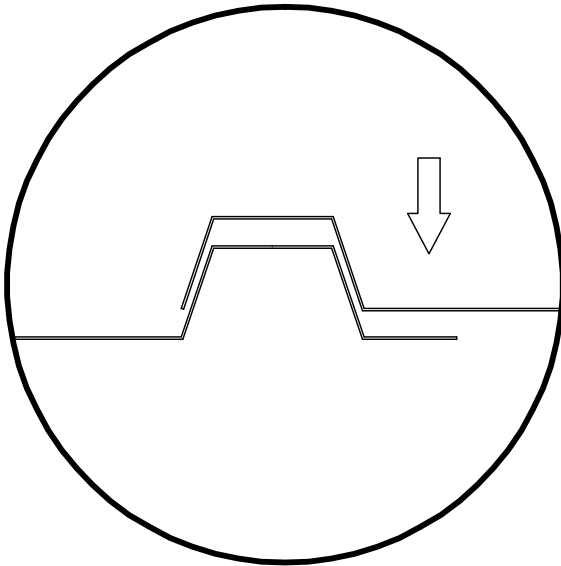
A circular icon shows a corner joint with a screw and washer.

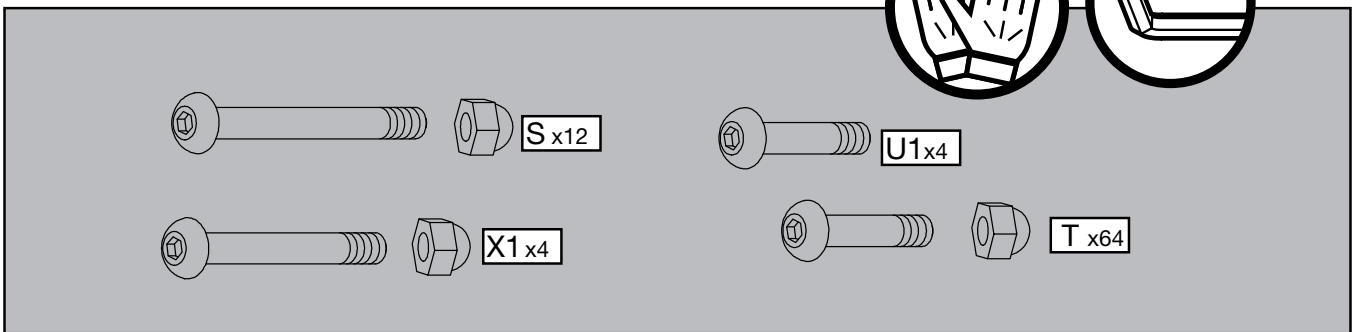
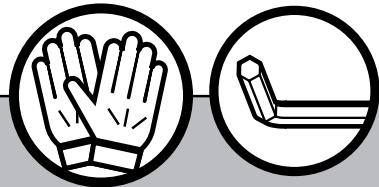
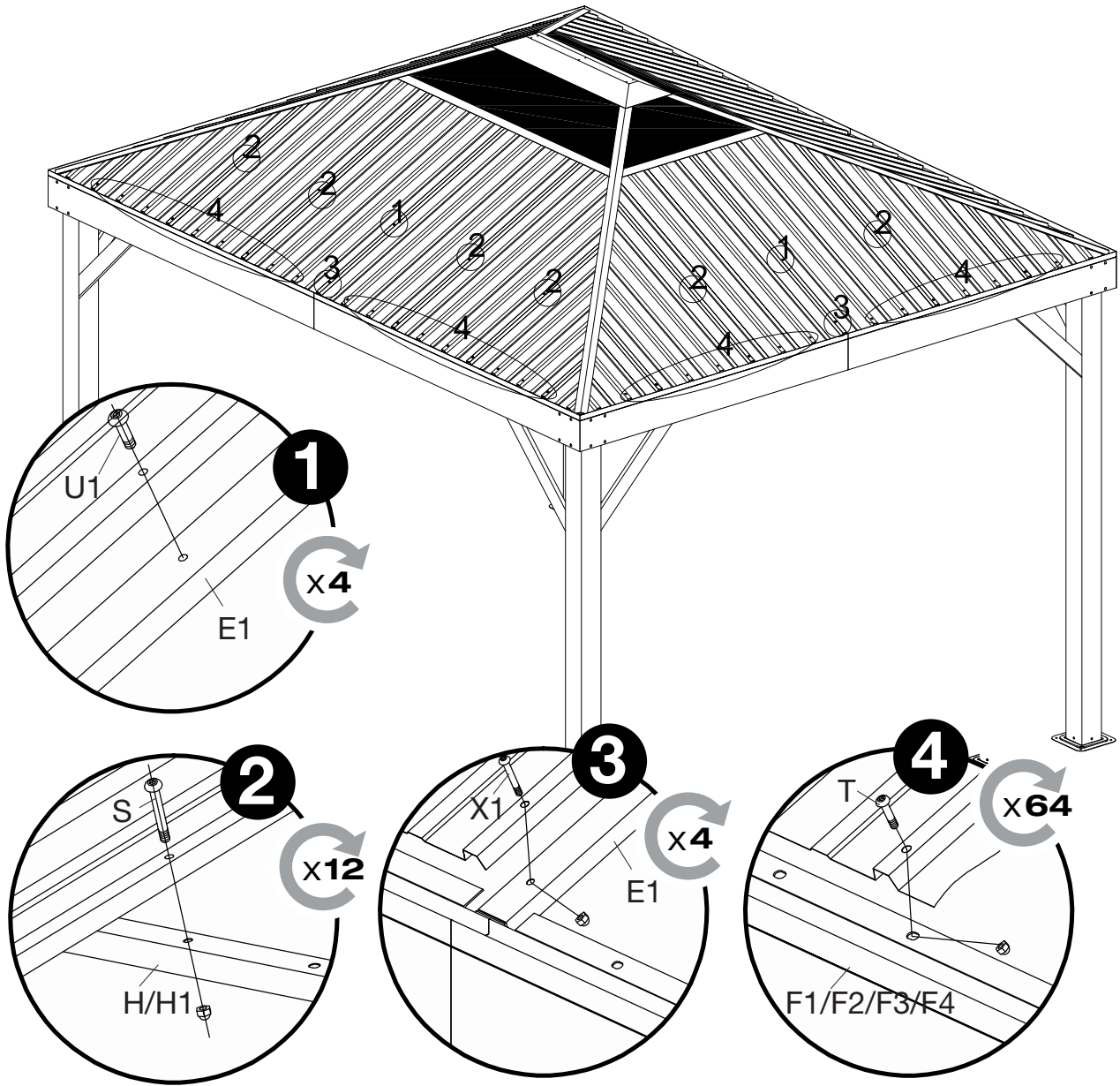


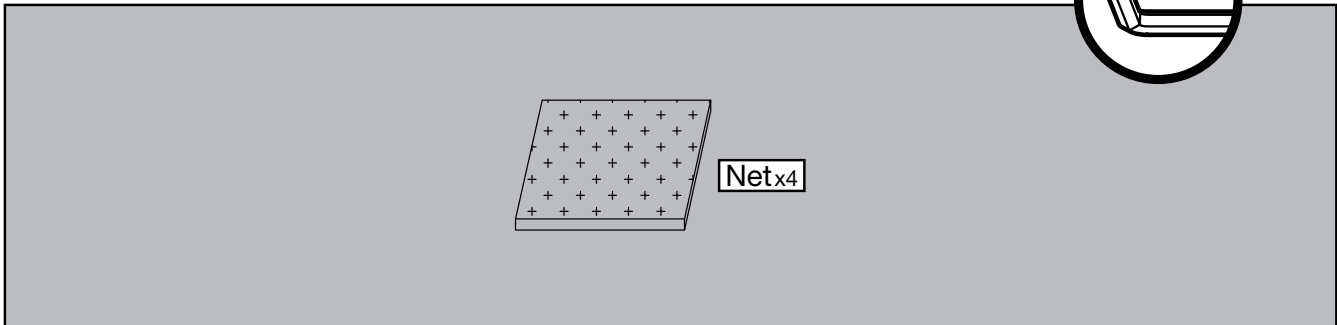
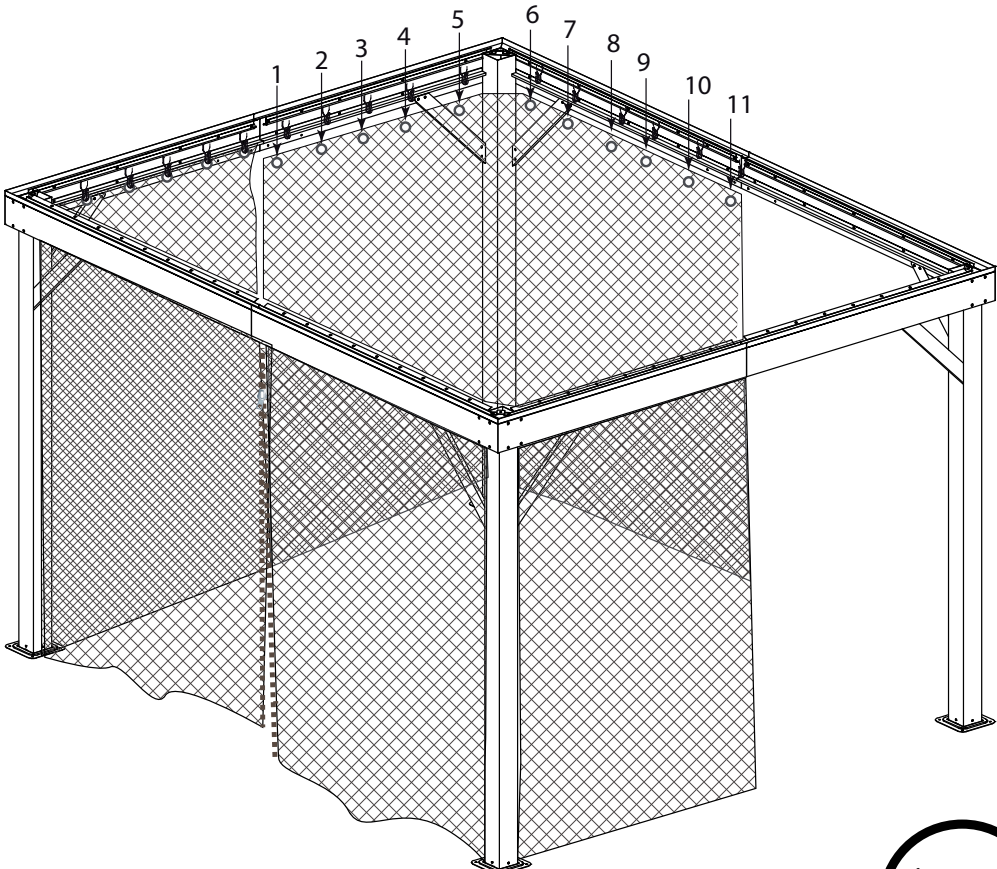
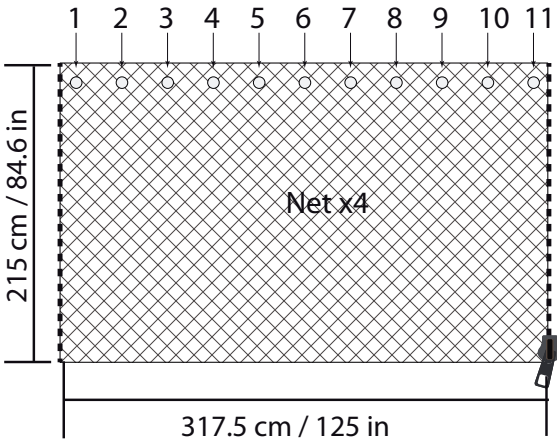












DISTRIBUTED BY:
COSTCO WHOLESALE CORPORATION
P.O. BOX 34535
SEATTLE, WA 98124-1535
USA
1-800-774-2678
WWW.COSTCO.COM

IMPORTADO POR:
IMPORTADORA PRIMEX S.A. DE C.V.
BLVD. MAGNOCENTRO NO. 4
SAN FERNANDO LA HERRADURA
HUIXQUILUCAN, ESTADO DE MÉXICO
C.P. 52765
RFC: IPR-930907-S70
(55)-5246-5500
WWW.COSTCO.COM.MX

COSTCO WHOLESALE SPAIN S.L.U.
POLÍGONO EMPRESARIAL LOS GAVILANES
C/ AGUSTÍN DE BETANCOURT, 17
28906 GETAFE (MADRID) ESPAÑA
NIF: B86509460
900 111 155
WWW.COSTCO.ES

COSTCO WHOLESALE ICELAND EHF.
KAUPTÚN 3-7, 210 GARDABAER
ICELAND
WWW.COSTCO.IS

COSTCO WHOLESALE KOREA, LTD.
40, ILJIK-RO
GWANGMYEONG-SI
GYEONGGI-DO, 14347, KOREA
1899-9900
WWW.COSTCO.CO.KR

COSTCO (CHINA) INVESTMENT CO., LTD.
NO.5178, KANGXIN ROAD,
PUDONG NEW AREA, SHANGHAI
CHINA 201315
+86-21-6257-7065

COSTCO WHOLESALE SWEDEN AB
BOX 614
114 11 STOCKHOLM
SWEDEN
WWW.COSTCO.SE

COSTCO WHOLESALE CANADA LTD.*
415 W. HUNT CLUB ROAD
OTTAWA, ONTARIO
K2E 1C5, CANADA
1-800-463-3783
WWW.COSTCO.CA

* FAISANT AFFAIRE AU QUÉBEC SOUS
LE NOM LES ENTREPÔTS COSTCO

COSTCO WHOLESALE UK LTD /
COSTCO ONLINE UK LTD
HARTSPRING LANE
WATFORD, HERTS
WD25 8JS
UNITED KINGDOM
01923 213113
WWW.COSTCO.CO.UK

COSTCO FRANCE
1 AVENUE DE BRÉHAT
91140 VILLEBON-SUR-YVETTE
FRANCE
01 80 45 01 10
WWW.COSTCO.FR

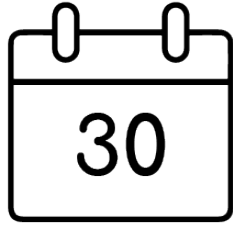
COSTCO WHOLESALE AUSTRALIA PTY LTD
17-21 PARRAMATTA ROAD
LIDCOMBE NSW 2141
AUSTRALIA
WWW.COSTCO.COM.AU

COSTCO WHOLESALE JAPAN LTD.
2 KAKUCHI, 2 GAIKU, KANEDA-NISHI
361 URIKURA, KISARAZU SHI
CHIBA, 292-0007 JAPAN
0570-200-800
WWW.COSTCO.CO.JP

COSTCO WHOLESALE NEW ZEALAND LIMITED
2 GUNTON DRIVE
WESTGATE
AUCKLAND 0814
NEW ZEALAND
WWW.COSTCO.CO.NZ

MADE IN CHINA
FABRIQUÉ EN CHINE
HECHO EN CHINA

Register • Enregistrer • Regístrate
온라인 등록 • Registrieren



ShelterLogic.com/product-registration

SOJAG ■ |